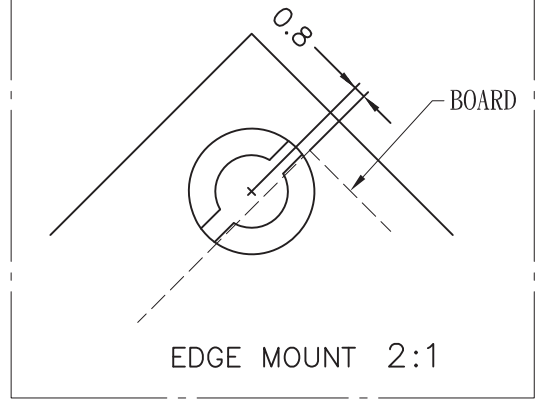


FOR M3.5 TAPPING SCREW



PART NO	L	L1
TCEH-6.4	6.4	5.2
TCEH-9.5	9.5	7.9
TCEH-12.7	12.7	7.9
TCEH-15.9	15.9	7.9

NOTE:N,D