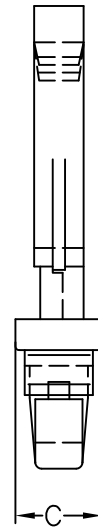
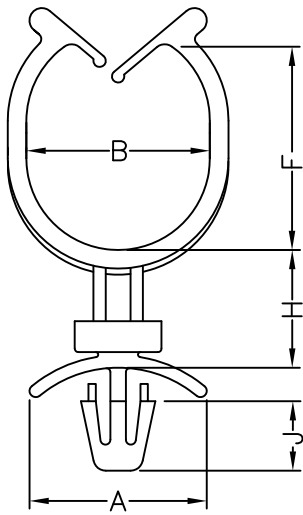


HOLE :  $\phi$ G  
THICKNESS: T



PART NO.	A	B	C	F	H	J	G	T
THE-9	14.3	14.8	7	16.2	9.5	5.6	4.8~5	0.5~2.3

NOTE: A, D