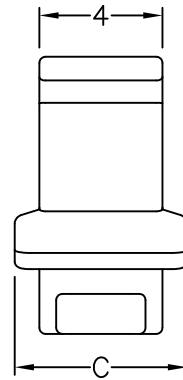
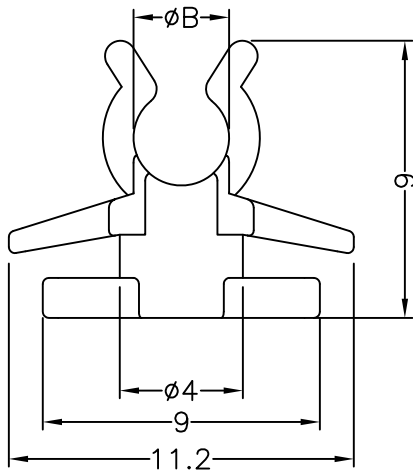


MOUNTING HOLE  
THICKNESS: T



PART NO.	B	C	T
THVB-1	3.1	5.6	1.2

NOTE: A, D