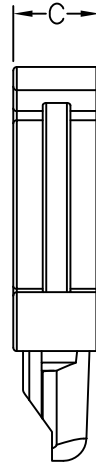
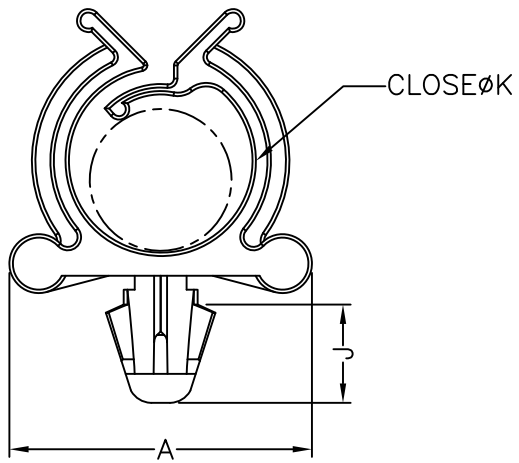


HOLE :  $\phi G$   
THICKNESS: T



PART NO.	A	C	J	K	G	T
THW-1	26.2	7.5	8.7	12.3	6.35	0.8~1.6

NOTE: A, D