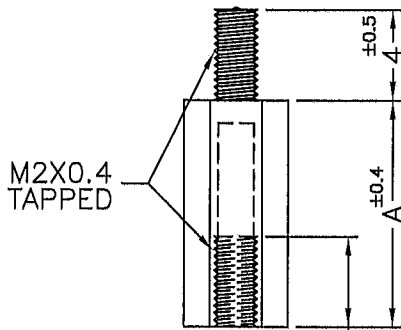
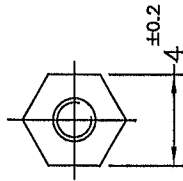



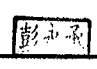
REVISIONS			
REV	DESCRIPTION	DATE	BY



PART NO.	A	Effective Fasten Length (有效牙深)
TP2-5S	5 ^{±0.4}	3.0 ^{REF.}
TP2-6.5S	6.5 ^{±0.4}	4.0 ^{REF.}
TP2-8S	8 ^{±0.4}	
TP2-10S	10 ^{±0.4}	
TP2-15S	15 ^{±0.4}	

Effective Fasten Length(有效牙深)

NOTE:MADE OF EQUIVALENT MATERIAL.
可使用同等材質.

 康揚企業股份有限公司 KANG YANG HARDWARE ENTERPRISE CO., LTD. 康揚塑膠(東莞)有限公司 KANG YANG PLASTIC(DONG GUAN) CO.,LTD. 康哲電腦配件(吳江)有限公司 KANG CHE COMPUTER COMPONENTS(WUJIANG) CO.,LTD.				TITLE	THREADED SPACER	SPEC. DWG.			
				MATERIAL	NYLON 66 UL94V-2	DATE	2004.12.23		
				FINISH		DRAWN	James		
				COLOR	NATURAL	CHECK			
PART NUMBER	SEE ABOVE	DRAWING NUMBER	TP2-HS	UNLESS OTHERWISE SPECIFIED TOLERANCE		APPROVED			
SIZE	A4	SCALE	NONE	UNIT	mm	REV	B	SEE ABOVE	