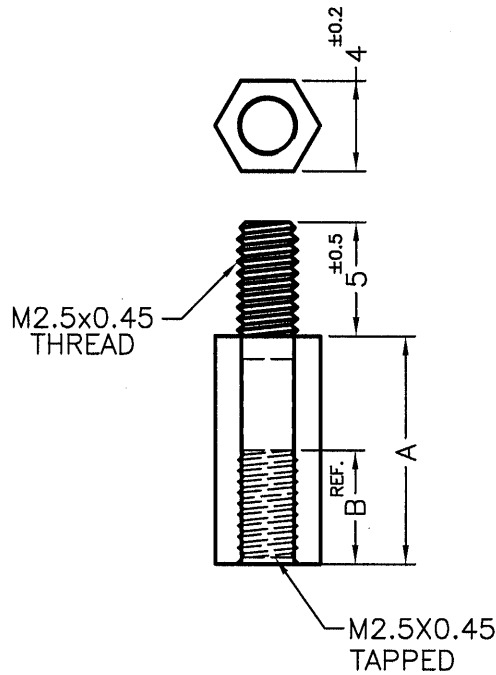


DIM.	TOL
5mm DOWN	±0.2
5~20mm	±0.3
20~40mm	±0.4
40~60mm	±0.5
60~100mm	±0.8
100mm UP	±1.0

REVISIONS			
REV	DESCRIPTION	DATE	BY



PART NO.	A	B
TP2.5-4	4.0	2.5
TP2.5-5	5.0	3.0
TP2.5-6	6.0	4.0
TP2.5-7	7.0	5.0
TP2.5-8	8.0	5.0
TP2.5-9	9.0	5.0
TP2.5-10	10.0	5.0
TP2.5-11	11.0	5.0
TP2.5-12	12.0	5.0
TP2.5-13	13.0	5.0
TP2.5-14	14.0	5.0
TP2.5-15	15.0	5.0
TP2.5-16	16.0	5.0

PART NO.	A	B
TP2.5-17	17.0	5.0
TP2.5-18	18.0	5.0
TP2.5-19	19.0	5.0
TP2.5-20	20.0	5.0
TP2.5-21	20.0	5.0
TP2.5-22	22.0	5.0
TP2.5-23	23.0	5.0
TP2.5-24	24.0	5.0
TP2.5-25	25.0	5.0
TP2.5-26	26.0	5.0
TP2.5-27	27.0	5.0
TP2.5-28	28.0	5.0

NOTE:MADE OF EQUIVALENT MATERIAL.  
使用同等材質

				TITLE	THREADED SPACER	SPEC. DWG.	
				MATERIAL	NYLON 66 UL94V-2	DATE	2008.05.02
PART NUMBER				FINISH	DRAWN		
SEE ABOVE				COLOR	Hou		
DRAWING NUMBER				UNLESS OTHERWISE SPECIFIED TOLERANCE	CHECK		
TP2.5-H				SEE ABOVE			
SIZE	SCALE	UNIT	REV	APPROVED			
A4	NONE	mm	B				