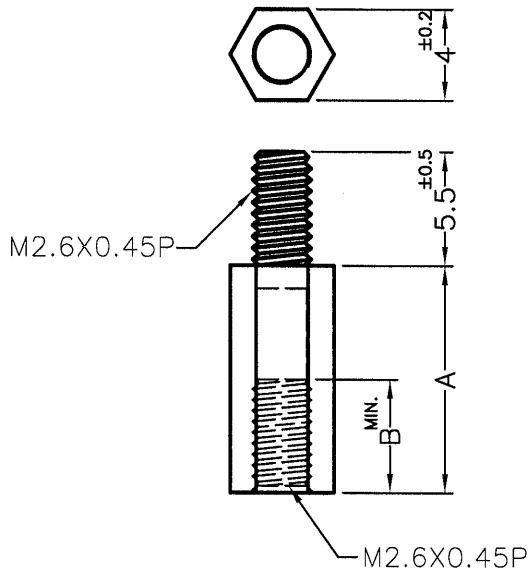




DIM.	TOL
5mm DOWN	±0.2
5~20mm	±0.3
20~40mm	±0.4
40~60mm	±0.5
60~100mm	±0.8
100mm UP	±1.0

REVISIONS			
REV	DESCRIPTION	DATE	BY

PART NO.	A	B
TP2.6-4	4.0	2.0
TP2.6-5	5.0	3.0
TP2.6-6	6.0	4.0
TP2.6-7	7.0	5.0
TP2.6-8	8.0	5.5
TP2.6-9	9.0	5.5
TP2.6-10	10.0	5.5
TP2.6-11	11.0	5.5
TP2.6-12	12.0	5.5
TP2.6-12.7	12.7	5.5
TP2.6-13	13.0	5.5
TP2.6-14	14.0	5.5
TP2.6-15	15.0	5.5
TP2.6-16	16.0	5.5
TP2.6-17	17.0	5.5
TP2.6-18	18.0	5.5
TP2.6-19	19.0	5.5
TP2.6-20	20.0	5.5
TP2.6-21	21.0	5.5
TP2.6-22	22.0	5.5
TP2.6-23	23.0	5.5
TP2.6-24	24.0	5.5
TP2.6-25	25.0	5.5
TP2.6-26	26.0	5.5
TP2.6-27	27.0	5.5
TP2.6-28	28.0	5.5



NOTE:MADE OF EQUIVALENT MATERIAL.  
可使用同等材質.

 <p>康揚企業股份有限公司 KANG YANG HARDWARE ENTERPRISE CO., LTD. 康揚塑膠(東莞)有限公司 KANG YANG PLASTIC(DONG GUAN )CO.,LTD. 康哲電腦配件(吳江)有限公司 KANG CHE COMPUTER COMPONENTS(WUJIANG) CO.,LTD.</p>				TITLE THREADED SPACER		SPEC. DWG.	
				MATERIAL NYLON 66 UL94V-2		DATE 2008.05.02	
				FINISH		DRAWN Hou	
PART NUMBER SEE ABOVE		DRAWING NUMBER TP2.6-H		COLOR NATURAL		CHECK 	
SIZE A4	SCALE NONE	UNIT mm	REV B	UNLESS OTHERWISE SPECIFIED TOLERANCE SEE ABOVE		APPROVED 