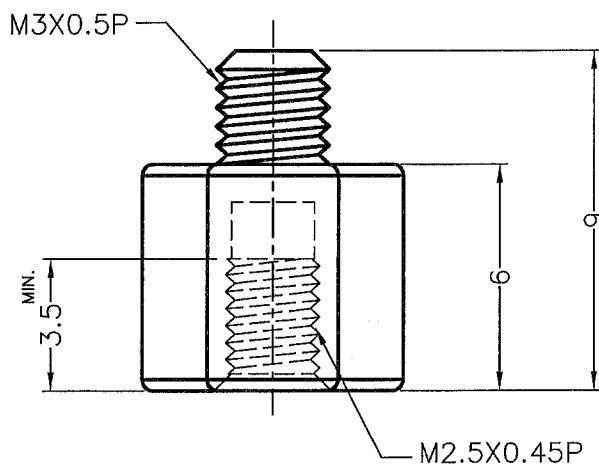
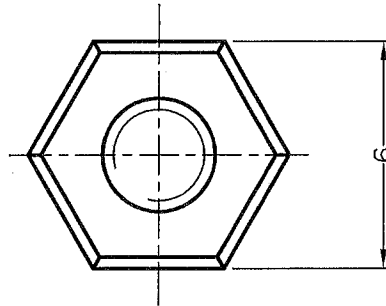


成型尺寸	公差
5mm以下	±0.2
5~20mm	±0.3
20~40mm	±0.4
40~60mm	±0.5
60~100mm	±0.8
100mm以上	±1.0

REVISIONS			
REV	DESCRIPTION	DATE	BY



註：量測值不含入料口位置。

Component - Plastic

E41938

E I DUPONT DE NEMOURS & CO INC  
ENGINEERING POLYMERS, CHESTNUT RUN PLAZA, PO BOX 60713, WILMINGTON DE 19880  
101(r9)(f1), 101F(r9)(f1), 101L(r9)(f1), E101(r9)(f1), E101L(r9)(f1)  
Polyamide 66 (PA66), "Zytel", furnished as pellets

Color	Min Thk (mm)	Flame Class	HVI	HA1	RTI Elec	RTI Imp	RTI Str
ALL	0.71	V-2	4	0	130	75	85
	1.5	V-2	3	0	130	75	85
	3.0	V-2	2	0	130	75	85
	6.0	V-2	2	0	130	75	85

Comperative Tracking Index (CTI): 0

Dielectric Strength (kV/mm): 13

High-Voltage Arc Tracking Rate (HATR): 0

Dimensional Stability (δ): -

Inched Pline Tracking (IPT): -

Volume Resistivity (10<sup>8</sup> ohm-cm): 14

High Volt, Low Current Arc Resis (D495): 6

(1) - Suitable for outdoor use with respect to exposure to Ultraviolet Light, Water Exposure and Immersion in accordance with UL 746C.

NOTE - (1) Material designations that are color pigmented may be followed by suffix letters and numbers. (2) Material designations may be prefixed by "ZY" for Zytel or "MIN" for Minlon or "DEL" for Delrin or "CRA" for Crastin or "RYN" for Rynite or "ETPV" for ETPV grades.

r9 - Virgin and regrind up to 50% by weight inclusive, have the same basic material characteristics for ALL colors down to 0.71mm. For thickness 0.40mm to 0.70mm the same basic material characteristics exist with the exception of genetic RTI for all properties and Regrind exceeding 25% is limited to V-2 Flammability for WT, RD, BK.

ANSI/UL 64 small-scale test data does not pertain to building materials, furnishings and related contents. ANSI/UL 64 small-scale test data is intended solely for determining the flammability of plastic materials used in the components and parts of end-product devices and appliances, where the acceptability of the combination is determined by UL.

Report Date: 1996-07-20  
Last Revised: 2010-07-27

© 2011 Underwriters Laboratories Inc.

UL US

TITLE	六角塑膠銅柱	產品規格圖面
MATERIAL	NYLON 66 UL94V-2	DATE 2013.05.10
FINISH		DRAWN ROBERT
COLOR	NATURAL	CHECK 
UNLESS OTHERWISE SPECIFIED TOLERANCE	SEE ABOVE	APPROVED 

康揚企業股份有限公司  
 KANG YANG HARDWARE ENTERPRISE CO., LTD.  
 康揚塑膠(東莞)有限公司  
 KANG YANG PLASTIC(DONG GUAN) CO., LTD.  
 康哲電腦配件(吳江)有限公司  
 KANG CHE COMPUTER COMPONENTS(WUJIANG) CO., LTD.

PART NUMBER	TP3-2.5-6	DRAWING NUMBER	TP3-2.5-H
SIZE	A4	SCALE	5:1
UNIT	mm	REV	A

Kang