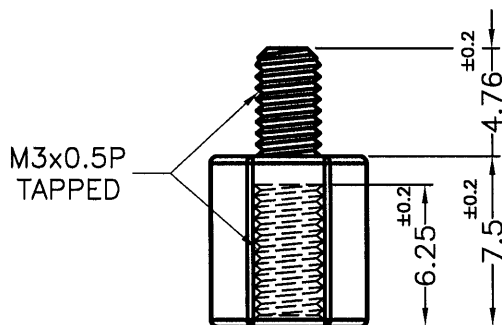
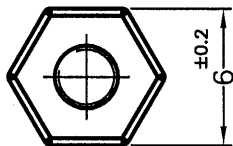

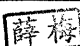



REVISIONS			
REV	DESCRIPTION	DATE	BY



NOTE:MADE OF EQUIVALENT MATERIAL.
均可使用同等材質.

 <p>康揚企業股份有限公司 KANG YANG HARDWARE ENTERPRISE CO., LTD. 康揚塑膠(東莞)有限公司 KANG YANG PLASTIC(DONG GUAN)CO.,LTD. 康哲電腦配件(吳江)有限公司 KANG CHE COMPUTER COMPONENTS(WUJIANG) CO.,LTD.</p>				TITLE	THREADED SPACER	SPEC. DWG.	
				MATERIAL	NYLON 66 UL94V-2	DATE	2010.04.26
				FINISH		DRAWN	JIM
				COLOR	NATURAL	CHECK	
PART NUMBER	TP3-7.5	DRAWING NUMBER	TP3-7.5	UNLESS OTHERWISE SPECIFIED TOLERANCE	SEE ABOVE	APPROVED	
SIZE	A4	SCALE	3:1	UNIT	mm	REV	A