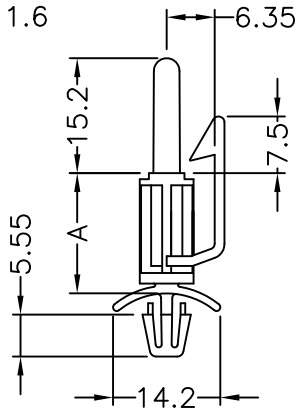
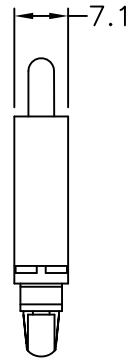


P.C.B  $\phi$ 4.0  
THICKNESS 1.6



P.C.B  $\phi$ 4.8  
THICKNESS 1.6



PART NO.	A
ULCB-15	
ULCB-38	

NOTE:D