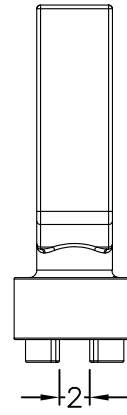
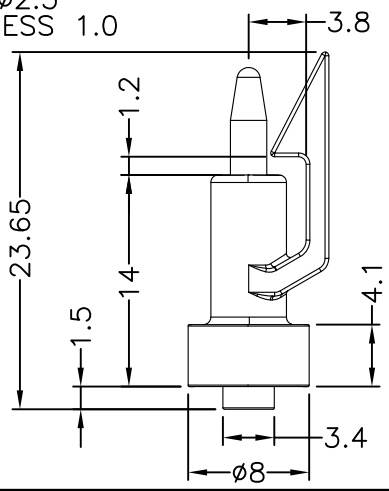


P.C.B ϕ 2.5
THICKNESS 1.0



PART NO.
ULCI-11