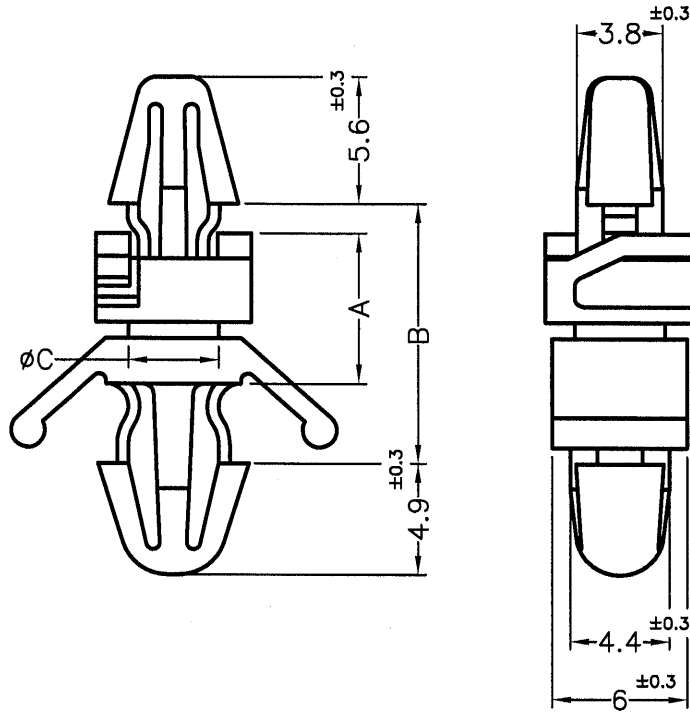


DIM.	TOL
L≤10	±0.2
10<L≤30	±0.3
30<L≤50	±0.5
50<L≤100	±0.7
100<L≤250	±1.2
ABOVE 250	±1.5

REVISIONS			
REV	DESCRIPTION	DATE	BY

HOLE IN P.C.B $\phi 4.0$
P.C.B THICKNESS 1.2~2.0



HOLE IN P.C.B $\phi 4.8$
P.C.B THICKNESS 0.8~3.0

PART NO.	A	B	ϕC
VCBSL-11	6.6	11.4	4.0
VCBSL-14	9.6	14.4	4.0
VCBSL-16	11.8	16.6	4.0
VCBSL-17	12.9	17.7	4.0
VCBSL-24	19.3	24.1	4.5
VCBSL-27	22.4	27.2	4.5
VCBSL-30	25.6	30.4	4.5
VCBSL-33	28.8	33.6	4.5
VCBSL-39	35.1	39.9	4.5

NOTE:MADE OF EQUIVALENT MATERIAL.
均可使用同等材質.

<p>康揚企業股份有限公司 KANG YANG HARDWARE ENTERPRISE CO., LTD. 康揚塑膠(東莞)有限公司 KANG YANG PLASTIC(DONG GUAN) CO., LTD. 康哲電腦配件(吳江)有限公司 KANG CHE COMPUTER COMPONENTS(WUJIANG) CO., LTD.</p>				TITLE	SPACER SUPPORT	SPEC. DWG.	
				MATERIAL	NYLON 66 UL94V-2	DATE	2011.08.03
				FINISH		DRAWN	SAI
				COLOR	NATURAL	CHECK	
PART NUMBER	SEE ABOVE	DRAWING NUMBER	VCBSL-H	UNLESS OTHERWISE SPECIFIED TOLERANCE	SEE ABOVE	APPROVED	
SIZE	A4	SCALE	3:1	UNIT	mm	REV	B