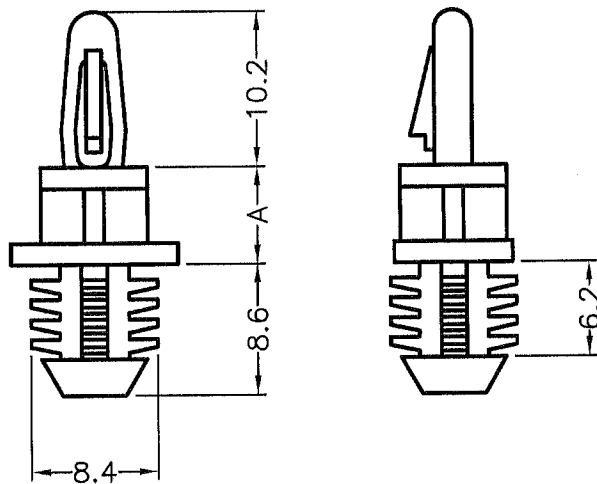


DIM.	TOL
5mm DOWN	±0.2
5~20mm	±0.3
20~40mm	±0.4
40~60mm	±0.5
60~100mm	±0.8
100mm UP	±1.0

REVISIONS			
REV	DESCRIPTION	DATE	BY

HOLE IN P.C.B $\phi 4.0$
P.C.B THICKNESS 1.6



HOLE IN PANEL $\phi 7.9$
THICKNESS 6.4^{MIN.}

NOTE: All measurement does not include gate which raises under 0.3mm.

PART NO.	A
WBH-5	4.8
WBH-6	6.4
WBH-9	9.5
WBH-11	11.1
WBH-12	12.7
WBH-16	15.9
WBH-19	19.1
WBH-22	22.2
WBH-25	25.4

<p>康揚企業股份有限公司 KANG YANG HARDWARE ENTERPRISE CO., LTD. 康揚塑膠(東莞)有限公司 KANG YANG PLASTIC(DONG GUAN) CO., LTD. ISO 9001 ISO 14001 QC 080000 康哲電腦配件(吳江)有限公司 KANG CHE COMPUTER COMPONENTS(WUJIANG) CO., LTD.</p>		TITLE SPACER SUPPORT	SPEC. DWG.
		MATERIAL NYLON 66 UL94V-2	DATE 1999.11.05
		HARDNESS	DRAWN <i>Linda</i>
		COLOR NATURAL	CHECK
PART NUMBER SEE ABOVE	DRAWING NUMBER WBH-	UNLESS OTHERWISE SPECIFIED TOLERANCE SEE ABOVE	APPROVED <i>Kang</i>
SIZE A4	SCALE 2:1	UNIT mm	REV A