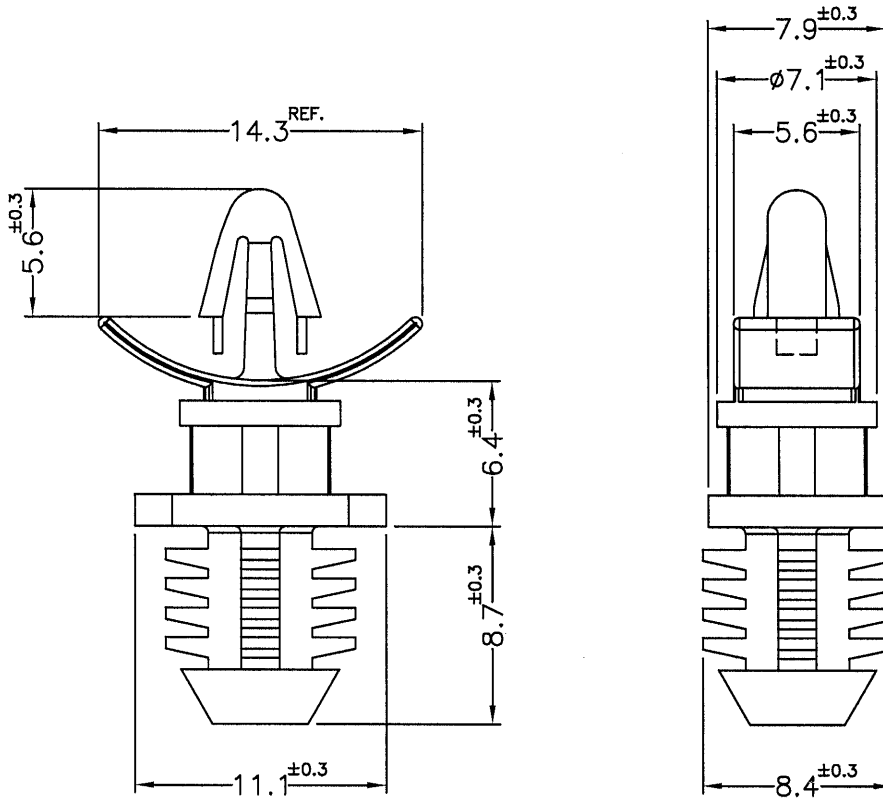



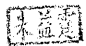
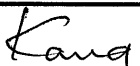
REVISIONS			
REV	DESCRIPTION	DATE	BY

HOLE IN P.C.B $\phi 4.0\text{mm}$
 PANEL THICKNESS 0.8~2.0mm



HOLE IN PANEL $\phi 7.9\text{mm}$
 PANEL THICKNESS 6.4mm^{MIN.}

NOTE: MADE OF EQUIVALENT MATERIAL.
 均可使用同等材質。

 康揚企業股份有限公司 KANG YANG HARDWARE ENTERPRISE CO., LTD. 康揚塑膠(東莞)有限公司 KANG YANG PLASTIC(DONG GUAN) CO., LTD. 康哲電腦配件(吳江)有限公司 KANG CHE COMPUTER COMPONENTS(WUJIANG) CO., LTD.				TITLE	SPEC. DWG.
				SPACER SUPPORT	
PART NUMBER		DRAWING NUMBER	MATERIAL	DATE	
WBHC-6.4		WBHC-H	NYLON 66 UL94V-2	2018.02.23	
SIZE		UNIT	HARDNESS	DRAWN	
A4	SCALE 3:1	mm		Louis	
REV		COLOR	CHECK	APPROVED	
A		NATURAL			
UNLESS OTHERWISE SPECIFIED TOLERANCE			SEE ABOVE		