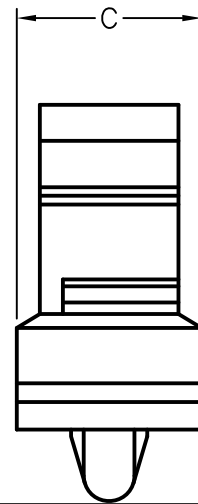
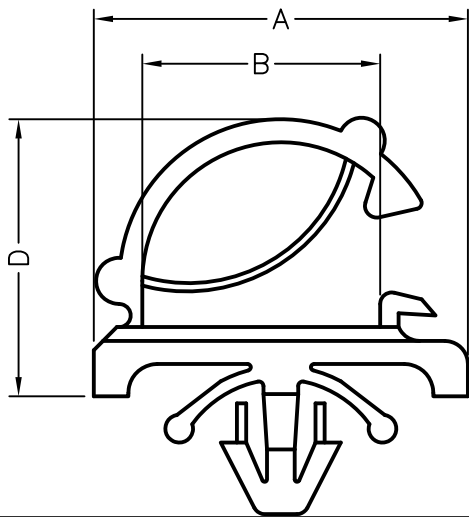


HOLE :  $\phi G$   
 THICKNESS: T



PART NO.	A	B	C	D	G	T
WLO-1	13.5	6.2	8.0	8.2	3.5	0.8~2.0
WLO-1-2.5	13.5	6.2	8.0	8.6		0.8~2.5
WLO-2	16.2	10.3	8.0	12.0		0.8~2.0
WLO-2-2.5	16.2	10.3	8.0	12.0		0.8~2.5

同目錄板厚

NOTE:A, D