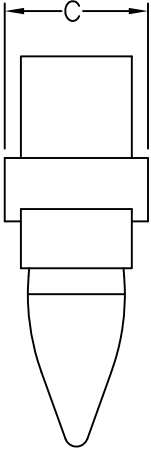
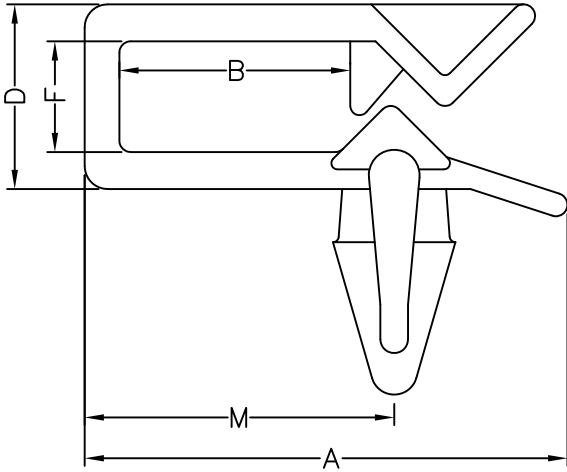


HOLE : ϕG
 THICKNESS: T



NOTE: A, D

PART NO.	A	B	C	D	F	M	G	T
WPEG-1	20.9	10	6.2	8	4.8	13.4	4.8	2
WPEG-2	24.2	13.2				16.8		
WPEG-3	17.5	6.6				10.8		