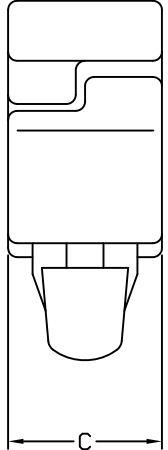
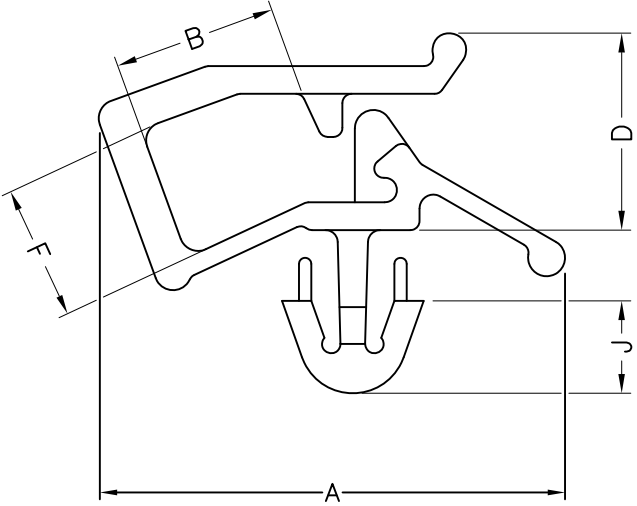


HOLE :  $\phi G$   
 THICKNESS: T



NOTE: A, D

PART NO.	A	B	C	D	F	J	G	T
WPEM-1	20.3	7.2	5	8.5	6.2	3	3.5	0.5~1.6
WPEM-1S	15.2	5.3		6.4	4.3			
WPEM-2	13.5	4.1		5.0	2.6			