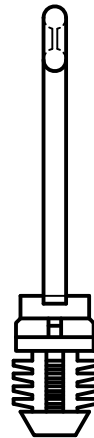
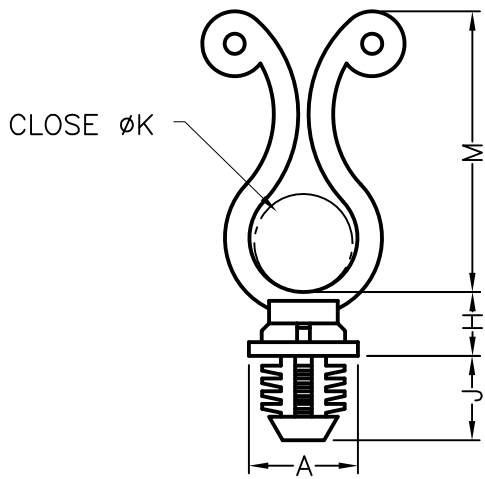


HOLE : $\phi$ G  
 THICKNESS: T



PART NO.	A	H	J	K	M	G	T
WTL-11	11.1	6.5	8.6	11	28.6	7.9	6.4 <sup>MIN.</sup>
WTL-19				19	37.5		

NOTE:A, D