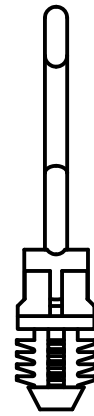
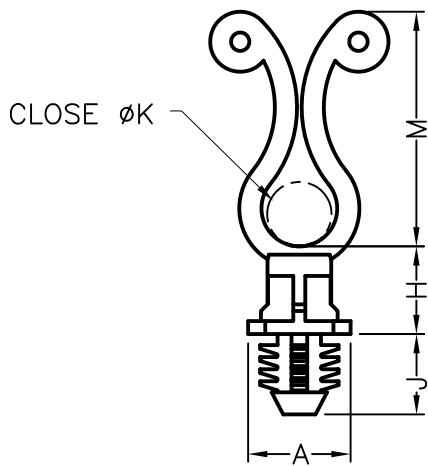


HOLE : ϕ G
 THICKNESS: T



PART NO.	A	H	J	K	M	G	T
WTL-764	11.1	6.4	8.7	7.6~10.2	25.4	7.9	6.4 ^{MIN.}
WTL-795		9.5					
WTL-7127		12.7					
WTL-7159		15.9		10.2~12.7	28.6		
WTL-1064		6.4					
WTL-1095		9.5					
WTL-10127		12.7		17.8~20.3	38.1		
WTL-10159		15.9					
WTL-1764		6.4					
WTL-1795		9.5					
WTL-17127		12.7					
WTL-17159		15.9					

NOTE:A, D