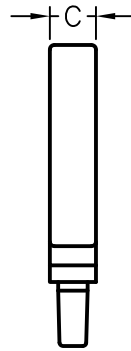
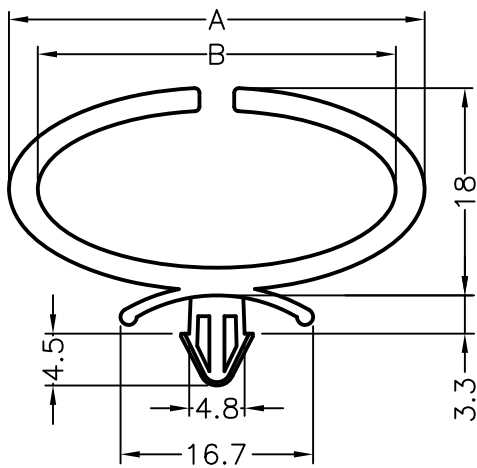


MOUNTING HOLE
THICKNESS: T



PART NO.	A	B	C	T
WUCD-36	36	31	4	0.8~2.2

NOTE: A, D