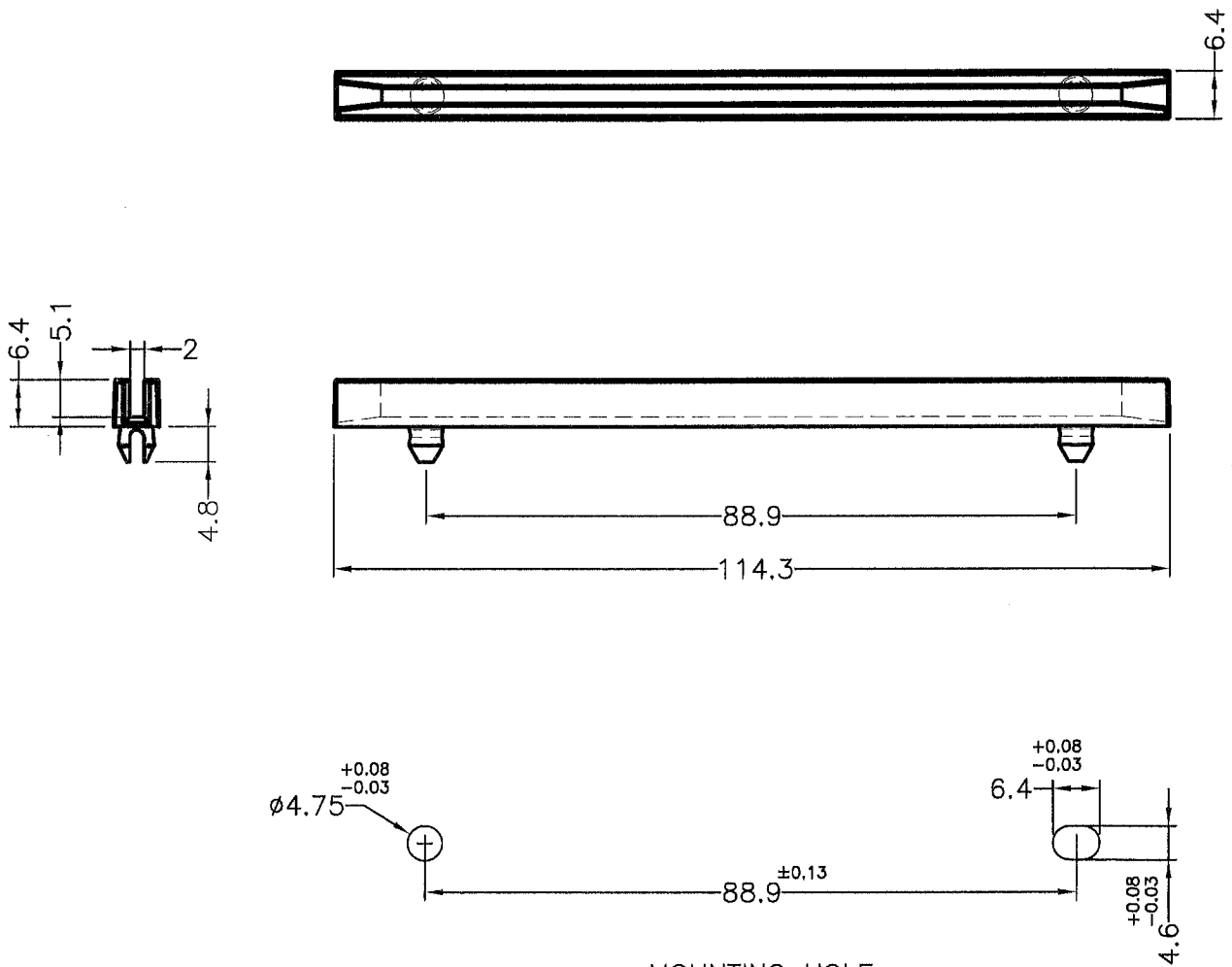



DTM.	TOL
L≤10	±0.2
10<L≤30	±0.3
30<L≤50	±0.5
50<L≤100	±0.7
100<L≤250	±1.2
ABOVE 250	±1.5

REVISIONS		
DESCRIPTION	DATE	BY



MOUNTING HOLE  
CHASSIS THICKNESS 1.2~2.3

NOTE: All measurement does not include gate which raises under 0.3mm.

 <p>康揚企業股份有限公司 KANG YANG HARDWARE ENTERPRISE CO., LTD. 康揚塑膠(東莞)有限公司 KANG YANG PLASTIC(DONG GUAN) CO., LTD. 康哲電腦配件(吳江)有限公司 KANG CHE COMPUTER COMPONENTS(WUJIANG) CO., LTD.</p>	TITLE CARD GUIDE		SPEC. DWG.	
	MATERIAL NYLON 66 UL94V-2		DATE 2014.08.04	
	HARDNESS		DRAWN T.C	
	COLOR BLACK		CHECK	
PART NUMBER BCG-450(B)		DRAWING NUMBER BCG-450		UNLESS OTHERWISE SPECIFIED TOLERANCE SEE ABOVE
SIZE A4	SCALE 1:1	UNIT mm	REV A	
APPROVED				<i>Kang J</i>