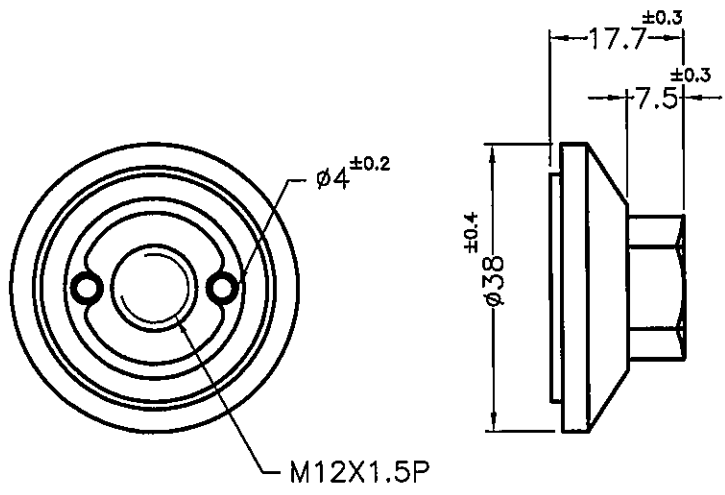

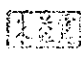


REVISIONS			
REV	DESCRIPTION	DATE	BY



NOTE: MADE OF EQUIVALENT MATERIAL.
均可使用同等材質.

 <p>康揚企業股份有限公司 KANG YANG HARDWARE ENTERPRISE CO., LTD. 康揚塑膠(東莞)有限公司 KANG YANG PLASTIC(DONG GUAN) CO., LTD. 康哲電腦配件(吳江)有限公司 KANG CHE COMPUTER COMPONENTS(WUJIANG) CO., LTD.</p>	TITLE		NUT		SPEC. DWG.		
	MATERIAL		NYLON 66 UL94V-2		DATE		2008.10.10
	FINISH				DRAWN		<i>Pyman</i>
	COLOR		BLACK		CHECK		
PART NUMBER	DRAWING NUMBER		UNLESS OTHERWISE SPECIFIED TOLERANCE		APPROVED		<i>Kang</i>
CAM-12(B)	CAM-12(B)		SEE ABOVE				
SIZE	SCALE	UNIT	REV				
A4	1:1	mm	B				