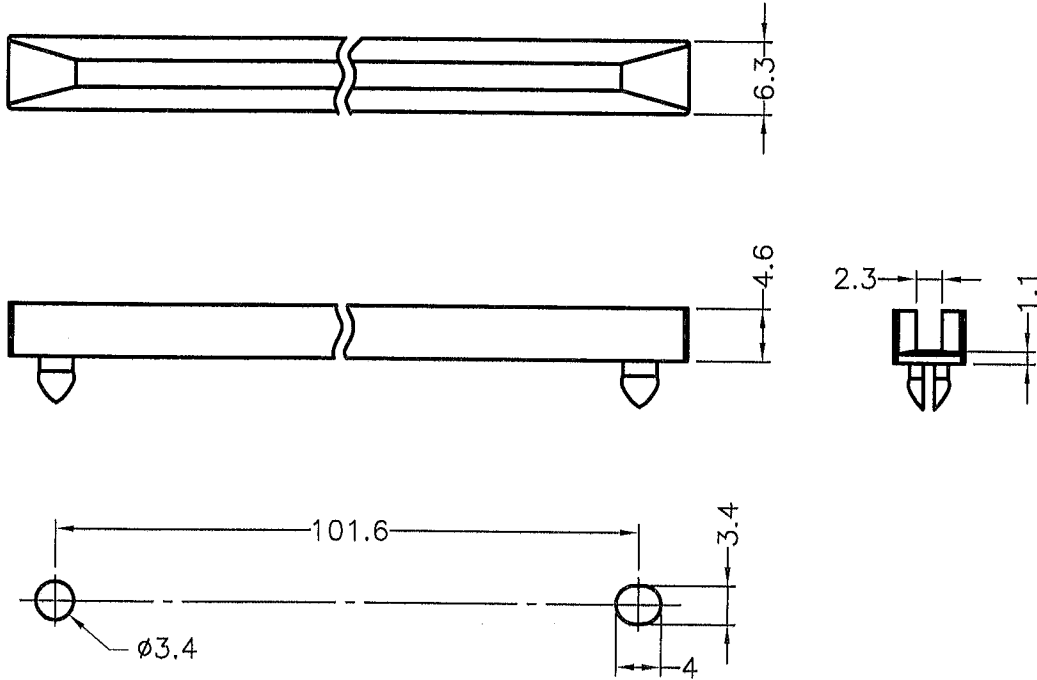


DIM.	TOL
L ≤ 10	±0.2
10 < L ≤ 30	±0.3
30 < L ≤ 50	±0.5
50 < L ≤ 100	±0.7
100 < L ≤ 250	±1.2
ABOVE 250	±1.5


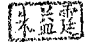
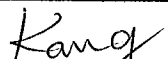
REVISIONS			
REV	DESCRIPTION	DATE	BY



MOUNTING HOLES
CHASSIS THICKNESS 0.8~1.2

PART NO.	MATERIAL	PART NO.
CG-110V0	NYLON 66 UL94V-0	NATURAL(WHITE)
CG-110	NYLON 66 UL94V-2	NATURAL

- NOTE: 1. ALL MEASUREMENT DOES NOT INCLUDE GATE WHICH RAISES UNDER 0.3mm.
所有尺寸量測皆不含進膠口, 膠口凸出0.3 mm之內。
2. MADE OF EQUIVALENT MATERIAL.
可使用同等材質。

 康揚企業股份有限公司 KANG YANG HARDWARE ENTERPRISE CO., LTD. 康揚塑膠(東莞)有限公司 KANG YANG PLASTIC(DONG GUAN) CO., LTD. 康哲電腦配件(吳江)有限公司 KANG CHE COMPUTER COMPONENTS(WUJIANG) CO., LTD.				TITLE	CARD GUIDE	SPEC. DWG.	
				MATERIAL	SEE ABOVE	DATE	2012.01.11
				FINISH		DRAWN	ROBERT
				COLOR	SEE ABOVE	CHECK	
PART NUMBER	SEE ABOVE	DRAWING NUMBER	CG-110H	UNLESS OTHERWISE SPECIFIED TOLERANCE	SEE ABOVE	APPROVED	
SIZE	A4	SCALE	2:1	UNIT	mm	REV	A