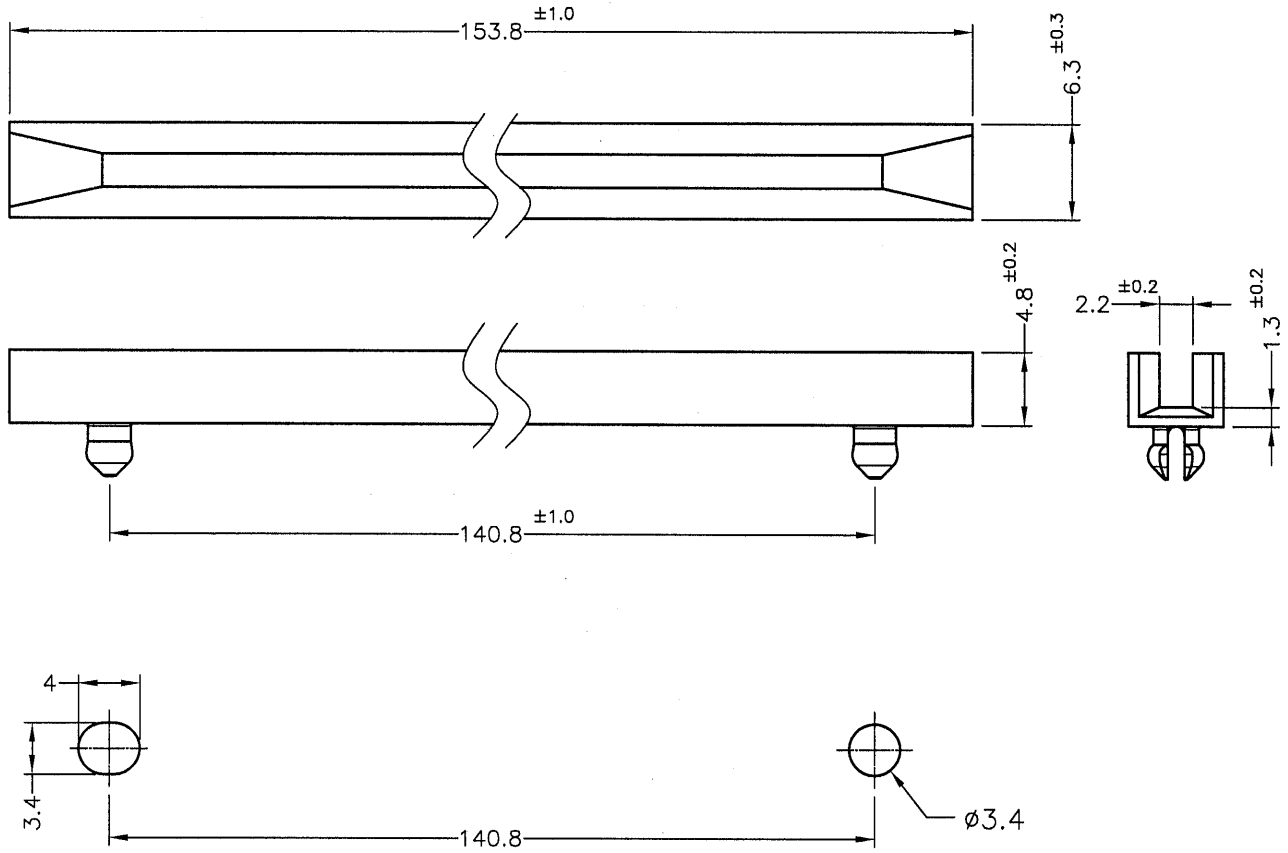



REVISIONS			
REV	DESCRIPTION	DATE	BY



MOUNTING HOLES  
CHASSIS THICKNESS 1.2mm

NOTE: MADE OF EQUIVALENT MATERIAL.  
均可使用同等材質。

 <p>康揚企業股份有限公司 KANG YANG HARDWARE ENTERPRISE CO., LTD. 康揚塑膠(東莞)有限公司 KANG YANG PLASTIC(DONG GUAN) CO., LTD. 康哲電腦配件(吳江)有限公司 KANG CHE COMPUTER COMPONENTS(WUJIANG) CO., LTD.</p>		TITLE	CARD GUIDE	SPEC. DWG.	
		MATERIAL	NYLON 66 UL94V-2	DATE	2002.07.18
		FINISH		DRAWN	JASON
		COLOR	NATURAL	CHECK	林祺翔
PART NUMBER	CG-153	DRAWING NUMBER	CG-153	UNLESS OTHERWISE SPECIFIED TOLERANCE	SEE ABOVE
SIZE	A4	SCALE	2:1	UNIT	mm
		REV	B	APPROVED	Kang