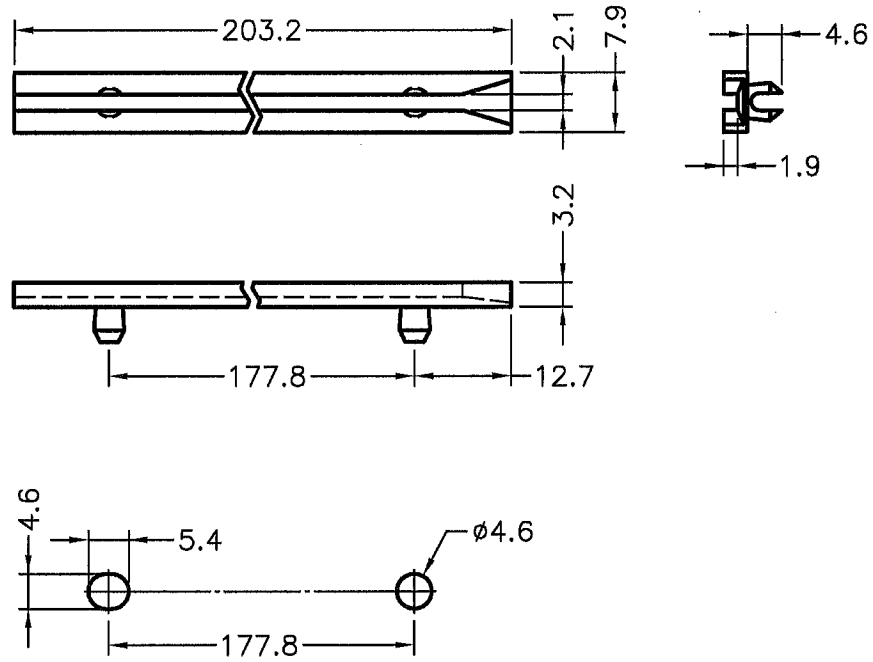


DIM.	TOL
5mm DOWN	±0.2
5~20mm	±0.3
20~40mm	±0.4
40~60mm	±0.5
60~100mm	±0.8
100mm UP	±1.0

REVISIONS			
REV	DESCRIPTION	DATE	BY



MOUNTING HOLES
CHASSIS THICKNESS 1.2 mm

NOTE: All measurement does not include gate which raises under 0.3mm.

Component - Plastics E41936

E I DUPONT DE NEMOURS & CO INC
ENGINEERING POLYMERS, CHESTNUT RUN PLAZA, PO BOX 80713, WILMINGTON DE 19880

101(r9)(f1), 101F(r9)(f1), 101L(r9)(f1), E101(r9)(f1), E101L(r9)(f1)
Polyamide 66 (PA66), "Zytel", furnished as pellets

Color	Min Thk (mm)	Flame Class	HWI	HAI	RTI Elec	RTI Imp	RTI Str
ALL	0.71	V-2	4	0	130	75	85
	1.5	V-2	3	0	130	75	85
	3.0	V-2	2	0	130	75	85
	6.0	V-2	2	0	130	75	85

Comparative Tracking Index (CTI): 0
Dielectric Strength (kV/mm): 13
High-Voltage Arc Tracking Rate (HVTR): 0
Dimensional Stability (%): -

Inclined Plane Tracking (IPT): -
Volume Resistivity (10⁸ ohm-cm): 14
High Volt, Low Current Arc Resis (D485): 5

(f1) - Suitable for outdoor use with respect to exposure to Ultraviolet Light, Water Exposure and Immersion in accordance with UL 746C.

NOTE - (1) Material designations that are color pigmented may be followed by suffix letters and numbers. (2) Material designations may be prefixed by "ZYT" for Zytel or "MIN" for Minlon or "DEL" for Delrin or "DRA" for Dacron or "RYN" for Rynite or "ETPV" for ETPV grades.

rd - Virgin and regrid up to 80% by weight inclusive, have the same basic material characteristics for ALL colors down to 0.7mm. For thickness 0.40mm to 0.70mm the same basic material characteristics exist with the exception of generic RTI for all properties and Regrid exceeding 28% is limited to V-2 Flammability for WT, RD, BK.

ANSIUL 24 small-scale test data does not pertain to building materials, furnishings and related contents, ANSIUL 24 small-scale test data is intended solely for determining the flammability of plastic materials used in the components and parts of end-product devices and appliances, where the acceptability of the combination is determined by UL.

Report Date: 1996-07-28
Last Revised: 2010-07-27
© 2011 Underwriters Laboratories Inc.

NYLON 66 UL94V-2 or EQUIVALENT

 康揚企業股份有限公司 KANG YANG HARDWARE ENTERPRISE CO., LTD. 康揚塑膠(東莞)有限公司 KANG YANG PLASTIC(DONG GUAN) CO., LTD. 康哲電腦配件(吳江)有限公司 KANG CHE COMPUTER COMPONENTS(WUJIANG) CO., LTD.	TITLE		CARD GUIDE		SPEC. DWG.		
	MATERIAL		NYLON 66 UL94V-2		DATE		2001.12.25
	FINISH		NATURAL		DRAWN		SCOTT
	COLOR		NATURAL		CHECK		
PART NUMBER	DRAWING NUMBER		UNLESS OTHERWISE SPECIFIED TOLERANCE		APPROVED		
CG-203	CG-203		SEE ABOVE				
SIZE	SCALE	UNIT	REV				
A4	1:1	mm	B				