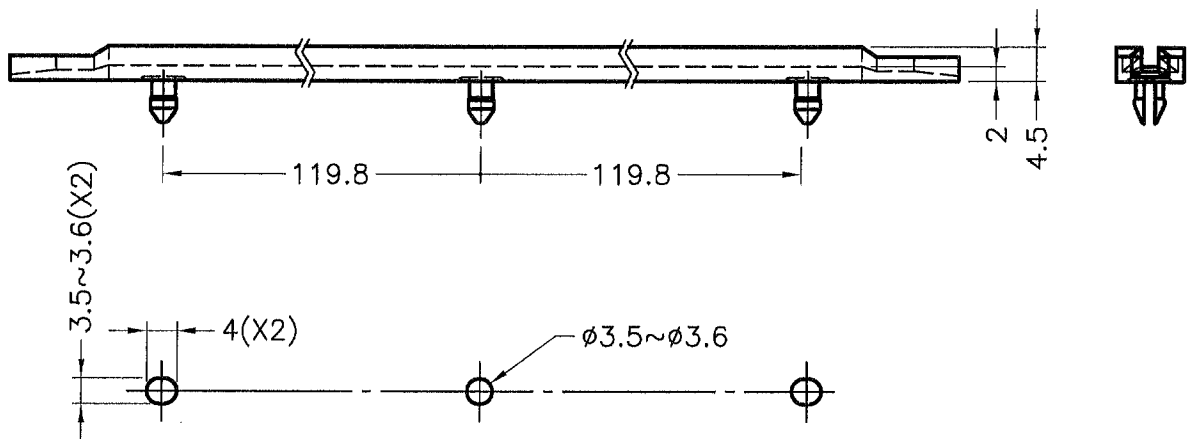
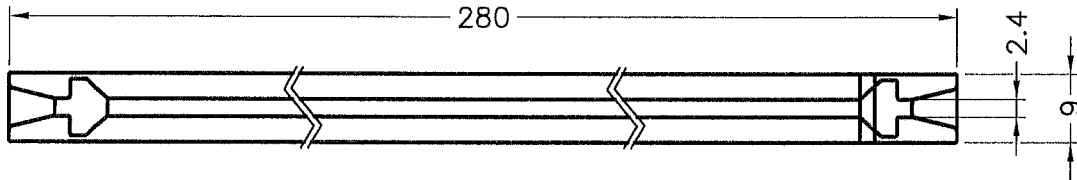


DIM.	TOL.
5mm DOWN	±0.2
5~20mm	±0.3
20~40mm	±0.4
40~60mm	±0.5
60~100mm	±0.8
100mm UP	±1.0

REVISIONS			
REV	DESCRIPTION	DATE	BY

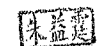


HOLE IN CHASSIS
MAX THICKNESS 2.0mm

PART NO.	COLOR
CG-280	NATURAL
CG-280(B)	BLACK

NOTE: All measurement does not include gate which raises under 0.3mm.


 康揚企業股份有限公司
 KANG YANG HARDWARE ENTERPRISE CO., LTD.
 康揚塑膠(東莞)有限公司
 KANG YANG PLASTIC(DONG GUAN) CO., LTD.
 康哲電腦配件(吳江)有限公司
 KANG CHE COMPUTER COMPONENTS(WUJIANG) CO., LTD.

TITLE	CARD GUIDE	SPEC. DWG.
MATERIAL	NYLON 66 UL94V-2	DATE
FINISH		2002.07.18
COLOR	SEE ABOVE	DRAWN
UNLESS OTHERWISE SPECIFIED TOLERANCE	SEE ABOVE	JASON
PART NUMBER	DRAWING NUMBER	CHECK
SEE ABOVE	CG-280	
SIZE	SCALE	UNIT
A4	NONE	mm
REV	A	APPROVED
		