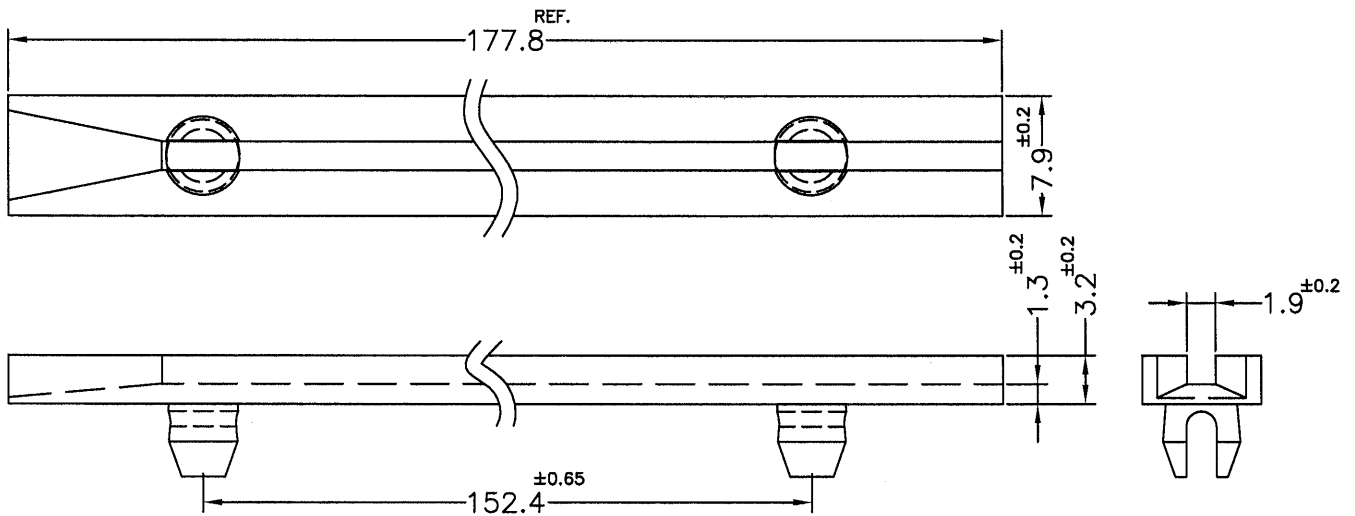


REVISIONS			
REV	DESCRIPTION	DATE	BY


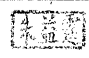
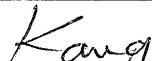


PART NO.	MATERIAL	COLOR
CG-700	NYLON 66 UL94V-2	NATURAL
CG-700V0	NYLON 66 UL94V-0	NATURAL(WHITE)



MOUNTING HOLE
PANEL THICKNESS: 1.2~2.3

NOTE: MADE OF EQUIVALENT MATERIAL.
使用同等材質

 <p>康揚企業股份有限公司 KANG YANG HARDWARE ENTERPRISE CO., LTD. 康揚塑膠(東莞)有限公司 KANG YANG PLASTIC(DONG GUAN) CO., LTD. 康哲電腦配件(吳江)有限公司 KANG CHE COMPUTER COMPONENTS(WUJIANG) CO., LTD.</p>				TITLE	CARD GUIDE	SPEC. DWG.	
				MATERIAL	SEE ABOVE	DATE	2007.07.17
				FINISH		DRAWN	CHIANG
				COLOR	SEE ABOVE	CHECK	
PART NUMBER	SEE ABOVE	DRAWING NUMBER	CG-700	UNLESS OTHERWISE SPECIFIED TOLERANCE	SEE ABOVE	APPROVED	
SIZE	A4	SCALE	2:1	UNIT	mm	REV	A