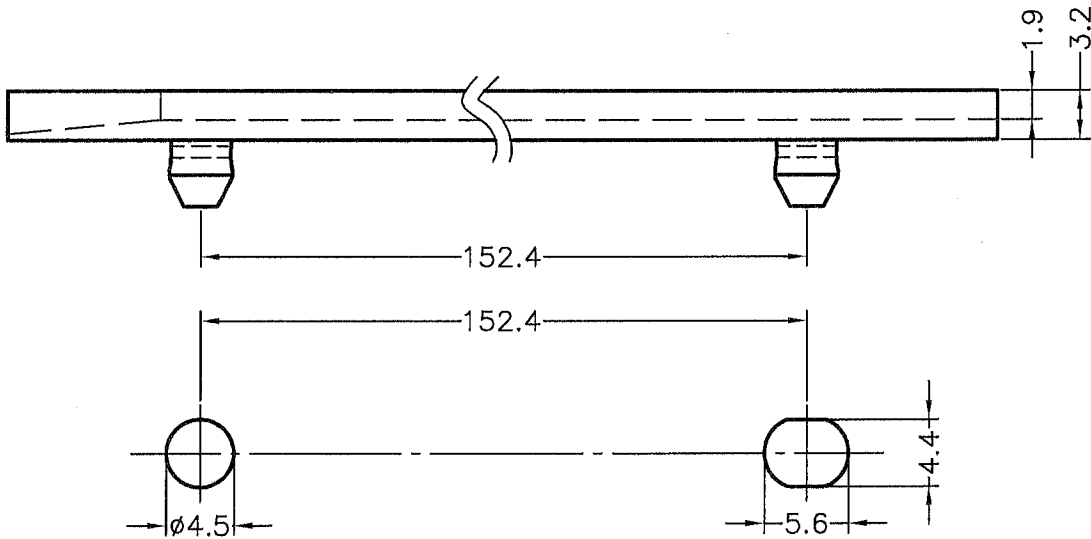
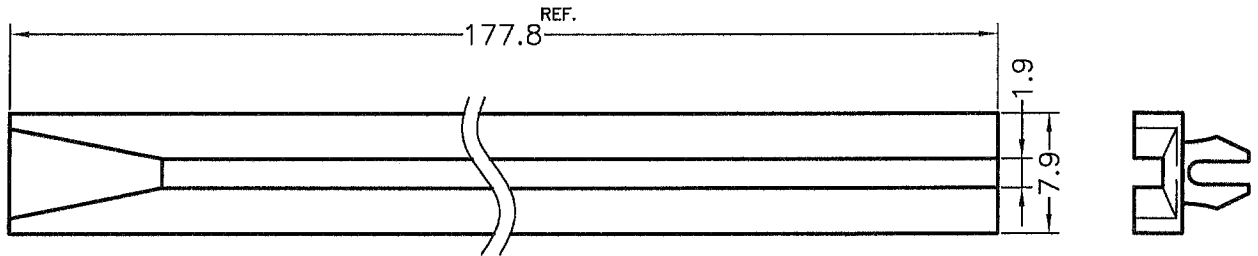




DTM.	TOL
5mm DOWN	±0.2
5~20mm	±0.3
20~40mm	±0.4
40~60mm	±0.5
60~100mm	±0.8
100mm UP	±1.0

REVISIONS		
DESCRIPTION	DATE	BY



MOUNTING HOLES
CHASSIS THICKNESS:1.2~2.3

NOTE: All measurement does not include gate which raises under 0.3mm.

 康揚企業股份有限公司 KANG YANG HARDWARE ENTERPRISE CO., LTD. 康揚塑膠(東莞)有限公司 KANG YANG PLASTIC(DONG GUAN) CO., LTD. 康哲電腦配件(吳江)有限公司 KANG CHE COMPUTER COMPONENTS(WUJIANG) CO., LTD.				TITLE	CARD GUIDE	SPEC. DWG.
				MATERIAL	NYLON 66 UL94V-2	DATE
PART NUMBER		DRAWING NUMBER		FINISH	DRAWN	
CG-700A		CG-700A		NATURAL	JIM	
SIZE	SCALE	UNIT	REV	COLOR	CHECK	
A4	NONE	mm	B	NATURAL		
				UNLESS OTHERWISE SPECIFIED TOLERANCE	APPROVED	
				SEE ABOVE	<i>Kang</i>	