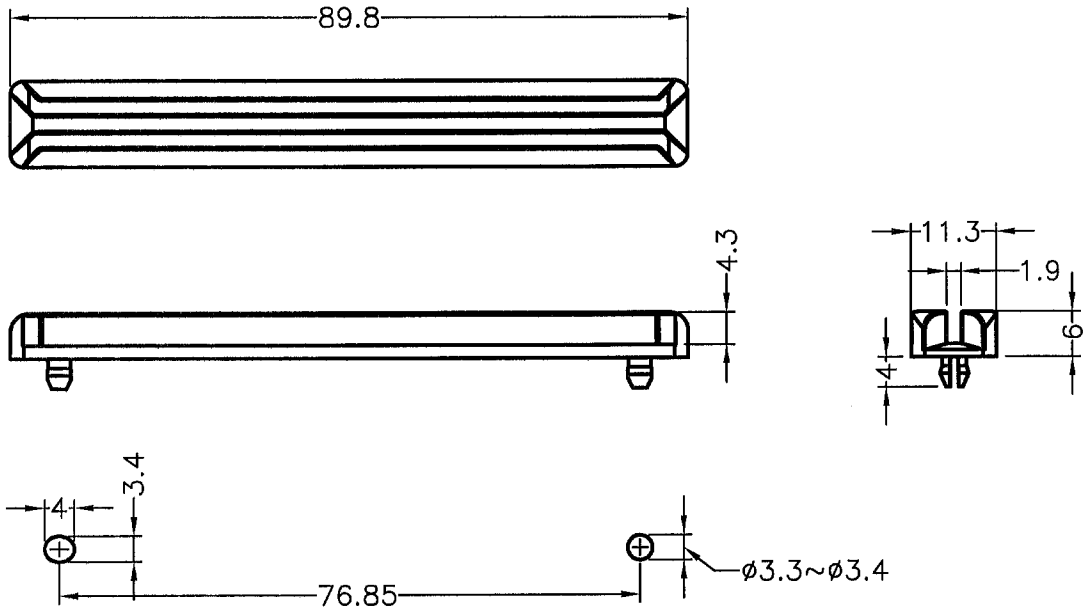


成型尺寸	公差
5mm以下	±0.2
5~20mm	±0.3
20~40mm	±0.4
40~60mm	±0.5
60~100mm	±0.8
100mm以上	±1.0

REVISIONS			
REV	DESCRIPTION	DATE	BY



QMFZ2 Component - Plastics Wednesday E41931  
 E I DUPONT DE NEMOURS & CO INC  
 ENGINEERING POLYMERS CHESTNUT RUN PLAZA PO BOX 80713 WILMINGTON DE 19880  
 Material Designation: 101(+)(f1), 101F(+)(f1), 101L(+)(f1), E101(+)(f1), E101L(f1), 132F(+)(f1), 135F(+)(f1)  
 Product Description: Polyamide 66 (PA66), designated "Zytel" furnished as pellets.

Color	Min. Thick. (mm)	Flame Class	HWI	HAI	RTI Elec	RTI Imp	RTI Str	IEC GWFI
ALL	0.71	V-2	4	0	130	75	85	725
	1.5	V-2	3	0	130	75	85	750
	3	V-2	2	0	130	75	85	800
	6	V-2	2	0	130	75	85	800

CTI: 0 HVTR: 0 D495: 6 IEC Ball Pressure (C):  
 Strength (kV/mm): 13 Volume Resistivity (10<sup>10</sup>ohm-cm): 14 Dimensional Stability (%):  
 ISO Tensile Strength (MPa): ISO Flexural Strength (MPa): ISO Heat Deflection (C):  
 ISO Tensile Impact (kJ/m<sup>2</sup>): ISO Charpy Impact (kJ/m<sup>2</sup>):  
 ISO Izod Impact (kJ/m<sup>2</sup>):

(+) Virgin and regrind up to 50% by weight inclusive, have the same basic material characteristics.  
 (f1) Suitable for outdoor use with respect to exposure to Ultraviolet Light, Water Exposure and Immersion in accordance with UL 746C.  
 NOTE (1) Material designations that are color pigmented may be followed by suffix letters and numbers. (2) Material designations may be prefixed by "ZYT" or "MIN" or "ZEN" or "DEL" or "CRA" or "RYN".  
 Report Date: 7/29/1996 Underwriters Laboratories Inc®  
 UL 94 small-scale test data does not pertain to building materials, furnishings and related contents. UL 94 small-scale test data is intended solely for determining the flammability of plastic materials used in components and parts of end-product devices and appliances, where the acceptability of the combination is determined.

<p>ISO 9001 ISO 14001 QC 080000</p>	<p>康揚企業股份有限公司 KANG YANG HARDWARE ENTERPRISE CO., LTD.</p> <p>康揚塑膠(東莞)有限公司 KANG YANG PLASTIC(DONG GUAN) CO., LTD.</p> <p>康哲電腦配件(吳江)有限公司 KANG CHE COMPUTER COMPONENTS(WUJIANG) CO., LTD.</p>		TITLE	PC板導槽	產品規格圖面
	MATERIAL		NYLON 66 UL94V-2	DATE	2009.11.03
	FINISH			DRAWN	SAI
	COLOR		NATURAL	CHECK	陳彥璋
PART NUMBER	CG-9D	DRAWING NUMBER	CG-9D	UNLESS OTHERWISE SPECIFIED TOLERANCE	SEE ABOVE
SIZE	A4	SCALE	1:1	UNIT	mm
		REV	A	APPROVED	