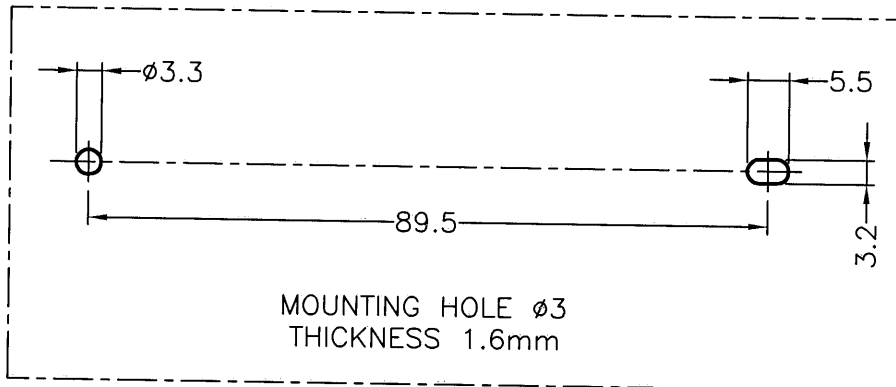
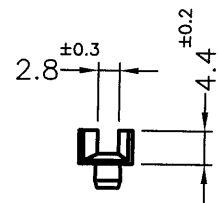
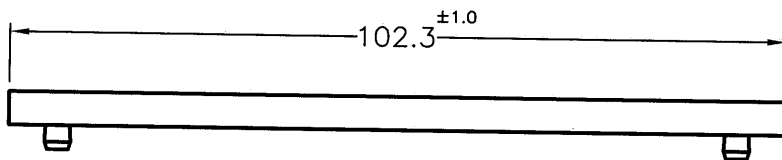


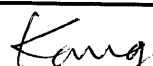


| REVISIONS | | | |
|-----------|-------------|------|----|
| REV | DESCRIPTION | DATE | BY |
| | | | |
| | | | |



NOTE: 1. SHRINKING IS NORMAL STATUS.
內縮為正常現象。
2. MADE OF EQUIVALENT MATERIAL.
均可使用同等材質。

| | | | | |
|--|-------|--------------------------------------|------------------|---|
|  康揚企業股份有限公司 KANG YANG HARDWARE ENTERPRISE CO., LTD. 康揚塑膠(東莞)有限公司 KANG YANG PLASTIC(DONG GUAN) CO., LTD. 康哲電腦配件(吳江)有限公司 KANG CHE COMPUTER COMPONENTS(WUJIANG) CO., LTD. | | TITLE | CARD GUIDE | SPEC. DWG. |
| | | MATERIAL | NYLON 66 UL94V-2 | DATE |
| PART NUMBER | | FINISH | DRAWN | S.J.C. |
| CGA-102 | | COLOR | CHECK |  |
| DRAWING NUMBER | | UNLESS OTHERWISE SPECIFIED TOLERANCE | APPROVED |  |
| CGA-102 | | SEE ABOVE | | |
| SIZE | SCALE | UNIT | REV | |
| A4 | 1:1 | mm | A | |