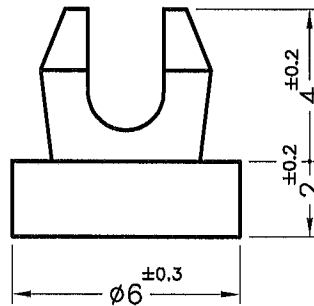
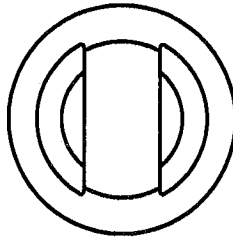


REVISIONS			
REV	DESCRIPTION	DATE	BY



HOLE IN CHASSIS:  $\phi 4.3$   
 BOARD THICKNESS: 1.6~2.0

PART NO.	MATERIAL
CGB-2	NYLON 66 UL94V-2
CGB-2V0	NYLON 66 UL94V-0+GF

NOTE: MADE OF EQUIVALENT MATERIAL.  
 均可使用同等材質。

<p>康揚企業股份有限公司          KANG YANG HARDWARE ENTERPRISE CO., LTD.          康揚塑膠(東莞)有限公司          KANG YANG PLASTIC(DONG GUAN) CO., LTD.          康哲電腦配件(吳江)有限公司          KANG CHE COMPUTER COMPONENTS(WUJIANG) CO., LTD.</p>				TITLE	CARD GUIDE	SPEC. DWG.	
				MATERIAL	SEE ABOVE	DATE	2006.07.06
				FINISH		DRAWN	WEI
				COLOR	BLACK	CHECK	彭永承
PART NUMBER	SEE ABOVE	DRAWING NUMBER	CGB-2	UNLESS OTHERWISE SPECIFIED TOLERANCE	SEE ABOVE	APPROVED	
SIZE	A4	SCALE	5:1	UNIT	mm	REV	C