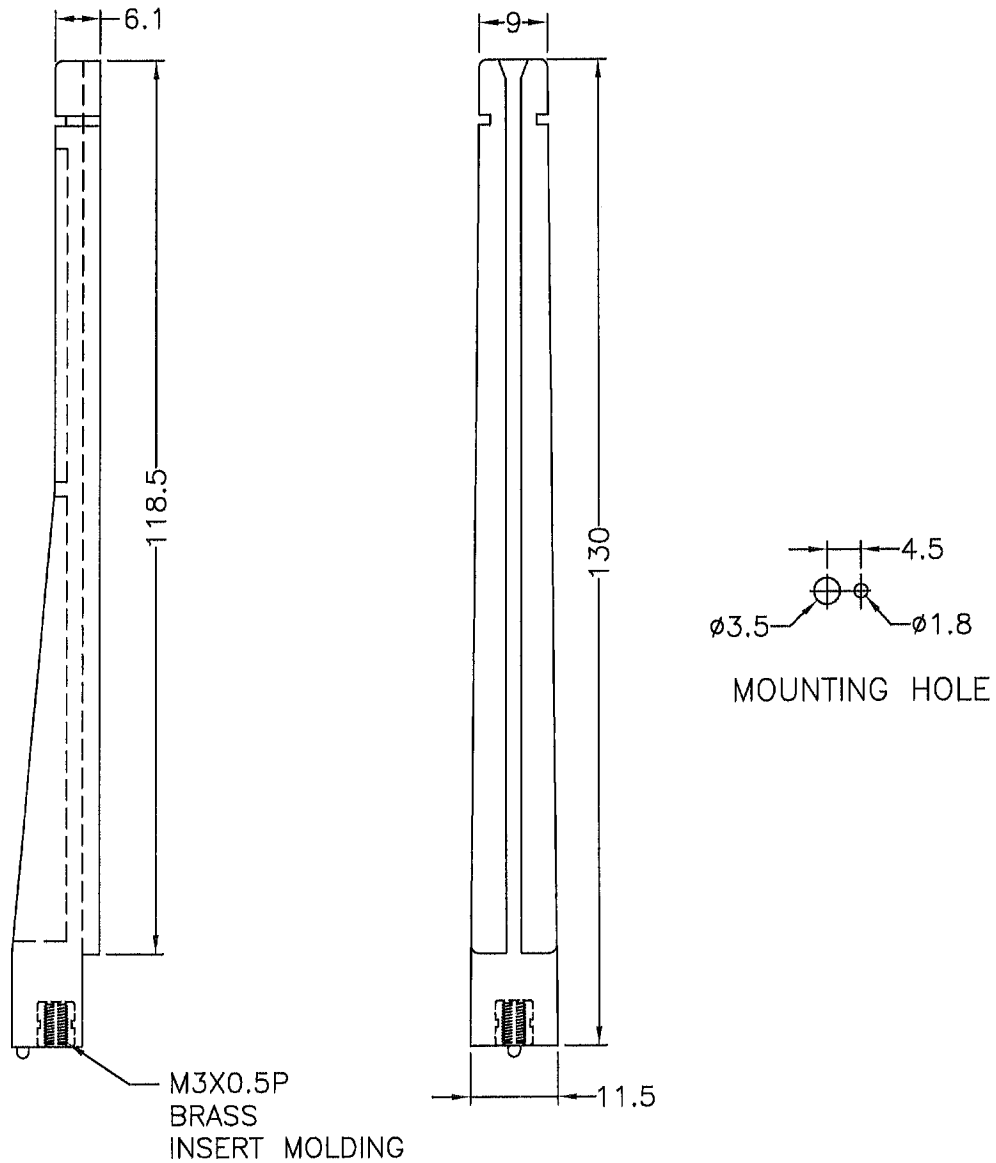





DIM.	TOL.
5mm DOWN	±0.2
5~20mm	±0.3
20~40mm	±0.4
40~60mm	±0.5
60~100mm	±0.8
100mm UP	±1.0

REVISIONS			
REV	DESCRIPTION	DATE	BY



符合歐盟ROHS規範 (RoHS Compliant)	
★鉛Pb	<1000PPM
★鎘Cd	< 100PPM
★汞Hg	<1000PPM
★六價鉻Cr6+	<1000PPM
★多溴聯苯類PBBs	<1000PPM
★多溴聯苯醚類PBDEs	<1000PPM

PART NO.	MATERIAL	COLOR
CGH-130	NYLON 66 UL94V-2	NATURAL
CGH-130V0	NYLON 66 UL94V-0	NATURAL(WHITE)

 <p>康揚企業股份有限公司 KANG YANG HARDWARE ENTERPRISE CO., LTD. 康揚塑膠(東莞)有限公司 KANG YANG PLASTIC(DONG GUAN) CO., LTD. 康哲電腦配件(吳江)有限公司 KANG CHE COMPUTER COMPONENTS(WUJIANG) CO., LTD.</p>		TITLE	CARD GUIDE	SPEC. DWG.
		MATERIAL	SEE ABOVE	DATE
PART NUMBER		FINISH	DRAWN	Linda
SEE ABOVE		COLOR	CHECK	
SIZE	SCALE	UNIT	REV	APPROVED
A4	1:1	mm	B	
DRAWING NUMBER		UNLESS OTHERWISE SPECIFIED TOLERANCE		SEE ABOVE
CGH-130H		SEE ABOVE		