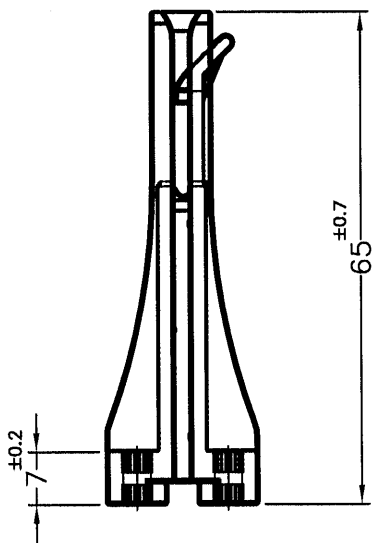
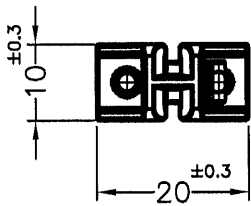
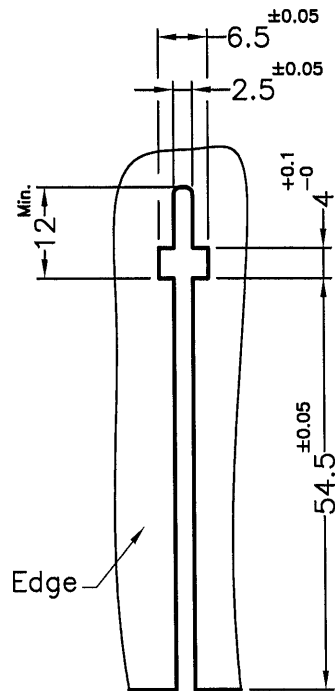


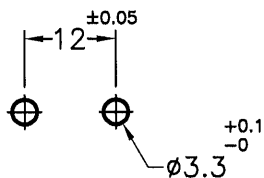
REVISIONS			
REV	DESCRIPTION	DATE	BY



M3x0.5P UNT (X2)






MOUNTING HOLE THICKNESS 1.6mm



MOUNTING HOLE

NOTE: 1. SHRINKING IS NORMAL STATUS.
 內縮為正常現象。
 2. MADE OF EQUIVALENT MATERIAL.
 均可使用同等材質。

 康揚企業股份有限公司 KANG YANG HARDWARE ENTERPRISE CO., LTD. 康揚塑膠(東莞)有限公司 KANG YANG PLASTIC(DONG GUAN) CO., LTD. 康哲電腦配件(吳江)有限公司 KANG CHE COMPUTER COMPONENTS(WUJIANG) CO., LTD.		TITLE	CARD GUIDE	SPEC. DWG.			
		MATERIAL	PC+ABS UL94V-2	DATE	2012.12.21		
		FINISH		DRAWN	K.W		
		COLOR	BLUE	CHECK			
PART NUMBER	CGHA-65BU	DRAWING NUMBER	CGHA-65	UNLESS OTHERWISE SPECIFIED TOLERANCE	SEE ABOVE	APPROVED	
SIZE	A4	SCALE	3:1	UNIT	mm	REV	A