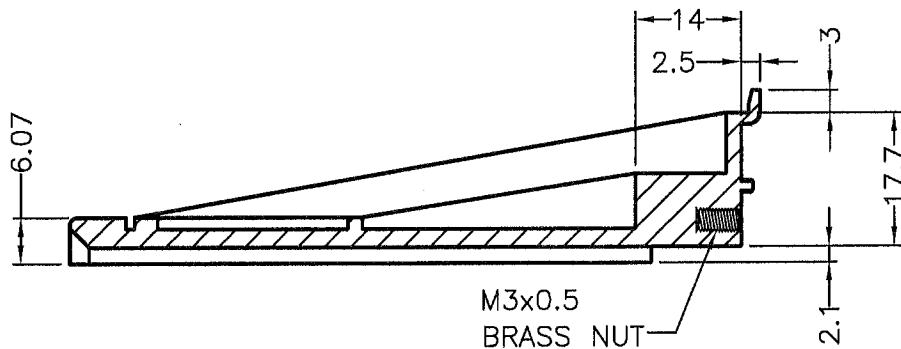
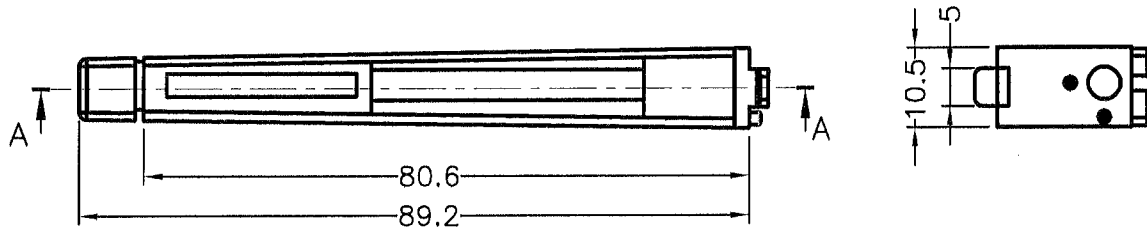


DIM.	TOL.
L ≤ 10	±0.2
10 < L ≤ 30	±0.3
30 < L ≤ 50	±0.5
50 < L ≤ 100	±0.7
100 < L ≤ 250	±1.2
ABOVE 250	±1.5

REVISIONS			
REV	DESCRIPTION	DATE	BY



SECTION A-A

PART NO.	COLOR
CGHB-90V0	NATURAL(WHITE)
CGHB-90V0(B)	BLACK

符合歐盟ROHS規範 (RoHS Compliant)	
★鉛Pb	<1000PPM
★鎘Cd	< 100PPM
★汞Hg	<1000PPM
★六價鉻Cr6+	<1000PPM
★多溴聯苯類PBBs	<1000PPM
★多溴聯苯醚類PBDEs	<1000PPM

<p>康揚企業股份有限公司 KANG YANG HARDWARE ENTERPRISE CO., LTD. 康揚塑膠(東莞)有限公司 KANG YANG PLASTIC(DONG GUAN) CO., LTD. 康哲電腦配件(吳江)有限公司 KANG CHE COMPUTER COMPONENTS(WUJIANG) CO., LTD.</p>		TITLE	CARD GUIDE	SPEC. DWG.			
		MATERIAL	NYLON 66 UL94V-0	DATE	2013.11.15		
		FINISH		DRAWN	ALBERT		
		COLOR	SEE ABOVE	CHECK			
PART NUMBER	SEE ABOVE	DRAWING NUMBER	CGHB-90	UNLESS OTHERWISE SPECIFIED TOLERANCE	SEE ABOVE	APPROVED	
SIZE	A4	SCALE	1:1	UNIT	mm	REV	A