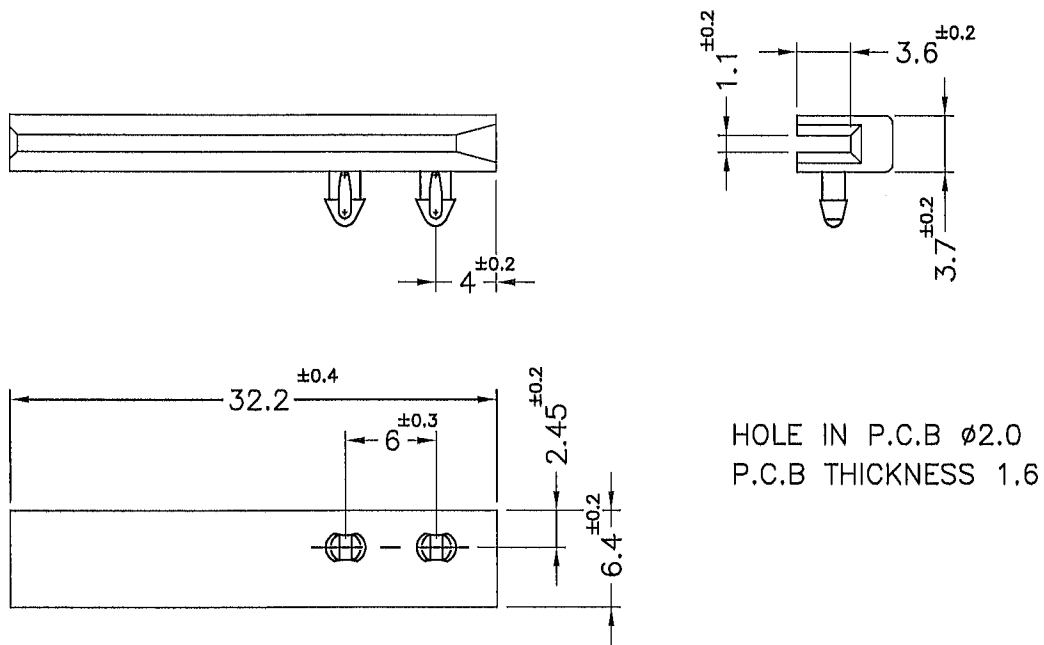




REVISIONS			
REV	DESCRIPTION	DATE	BY



NOTE: MADE OF EQUIVALENT MATERIAL.  
均可使用同等材質。

 <p>康揚企業股份有限公司 KANG YANG HARDWARE ENTERPRISE CO., LTD. 康揚塑膠(東莞)有限公司 KANG YANG PLASTIC(DONG GUAN) CO., LTD. 康哲電腦配件(吳江)有限公司 KANG CHE COMPUTER COMPONENTS(WUJIANG) CO., LTD.</p>	TITLE		CARD GUIDE		SPEC. DWG.			
	MATERIAL		NYLON 66 UL94V-2		DATE		2007.08.05	
	FINISH				DRAWN		CHIANG	
PART NUMBER		DRAWING NUMBER		COLOR		CHECK		
CGLC-32-1(B)		CGLC-32-1		BLACK				
SIZE	SCALE	UNIT	REV	UNLESS OTHERWISE SPECIFIED TOLERANCE		APPROVED		
A4	2:1	mm	A	SEE ABOVE		