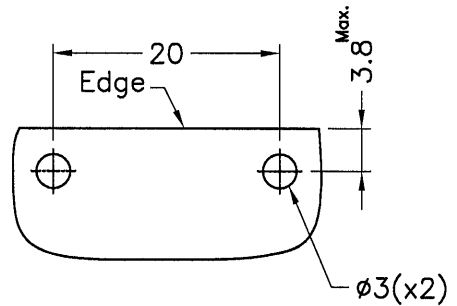
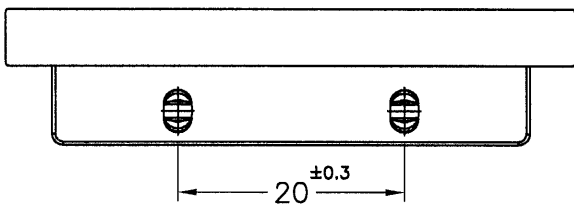
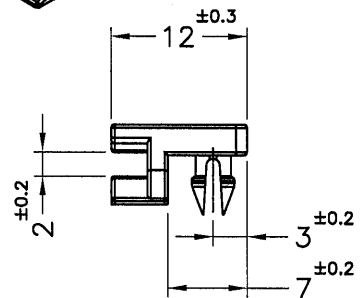
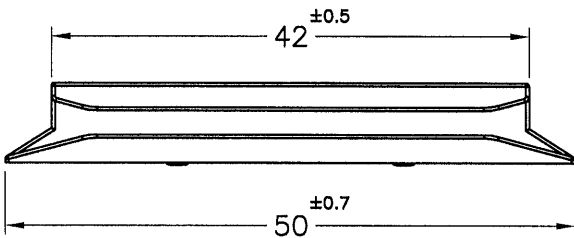
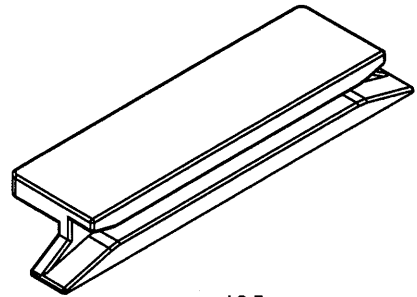


Patented Product
專利產品


REVISIONS			
REV	DESCRIPTION	DATE	BY



RECOMMEND MOUNTING HOLE
RECOMMEND THICKNESS:1.6mm

PART NO.	COLOR
CGLD-50	NATURAL
CGLD-50(B)	BLACK

NOTE: MADE OF EQUIVALENT MATERIAL.
均可使用同等材質.

 康揚企業股份有限公司 KANG YANG HARDWARE ENTERPRISE CO., LTD. 康揚塑膠(東莞)有限公司 KANG YANG PLASTIC(DONG GUAN) CO., LTD. 康哲電腦配件(吳江)有限公司 KANG CHE COMPUTER COMPONENTS(WUJIANG) CO., LTD.				TITLE	SPEC. DWG.	
				CARD GUIDE	DATE	2012.12.18
				MATERIAL	DRAWN	K.W
PART NUMBER		DRAWING NUMBER	COLOR	CHECK		
SEE ABOVE		CGLD-50	SEE ABOVE	薛梅		
SIZE	SCALE	UNIT	REV	APPROVED		
A4	1.5:1	mm	A	Kang		
UNLESS OTHERWISE SPECIFIED TOLERANCE			SEE ABOVE			