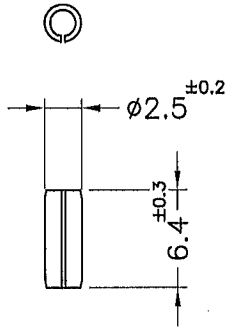
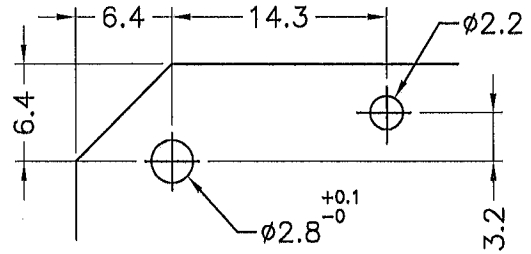


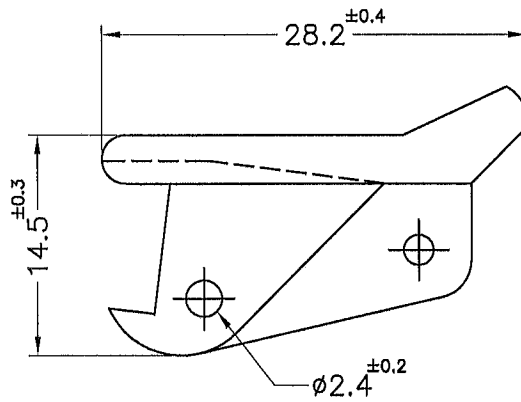
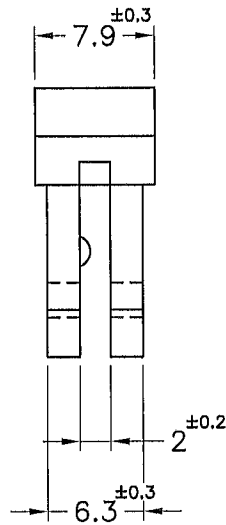
REVISIONS			
REV	DESCRIPTION	DATE	BY




PIN



MOUNTING HOLE



NOTE:MADE OF EQUIVALENT MATERIAL.
均可使用同等材質.

 康揚企業股份有限公司 KANG YANG HARDWARE ENTERPRISE CO., LTD. 康揚塑膠(東莞)有限公司 KANG YANG PLASTIC(DONG GUAN)CO.,LTD. 康哲電腦配件(吳江)有限公司 KANG CHE COMPUTER COMPONENTS(WUJIANG) CO.,LTD.		TITLE	CARD PULLER	SPEC. DWG.		
		MATERIAL	NYLON 66 UL94V-2	DATE	1998.10.06	
		COLOR	NATURAL	DRAWN	CIA CIA	
		PIN'S MATERIAL	STEEL	PIN'S COLOR	BLACK	CHECK
PART NUMBER	CP-30	DRAWING NUMBER	CP-30H	UNLESS OTHERWISE SPECIFIED TOLERANCE	SEE ABOVE	
SIZE	A4	SCALE	2:1	UNIT	mm	
		REV	B	APPROVED	