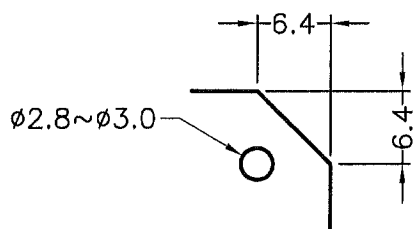
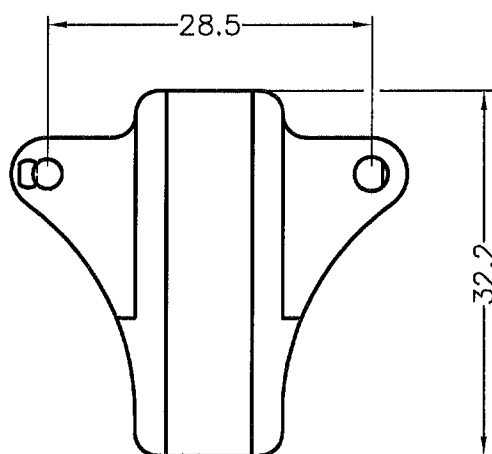
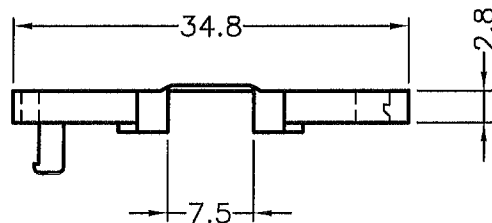




DIM.	TOL
5mm DOWN	±0.2
5~20mm	±0.3
20~40mm	±0.4
40~60mm	±0.5
60~100mm	±0.8
100mm UP	±1.0

REVISIONS			
REV	DESCRIPTION	DATE	BY



MOUNTING HOLE

NOTE: All measurement does not include gate which raises under 0.3mm.

 康揚企業股份有限公司 KANG YANG HARDWARE ENTERPRISE CO., LTD. 康揚塑膠(東莞)有限公司 KANG YANG PLASTIC(DONG GUAN) CO., LTD. 康哲電腦配件(吳江)有限公司 KANG CHE COMPUTER COMPONENTS(WUJIANG) CO., LTD.				TITLE	SPEC. DWG.
				CARD PULLER	
PART NUMBER		DRAWING NUMBER	MATERIAL	DATE	
CP-35		CP-35H	NYLON 66 UL94V-2	1998.08.13	
SIZE		SCALE	HARDNESS	DRAWN	
A4	2:3	mm		JASON	
UNIT	REV	COLOR	CHECK		
mm	A	NATURAL			
UNLESS OTHERWISE SPECIFIED TOLERANCE			APPROVED		
SEE ABOVE			