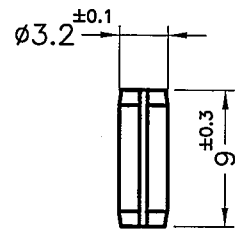
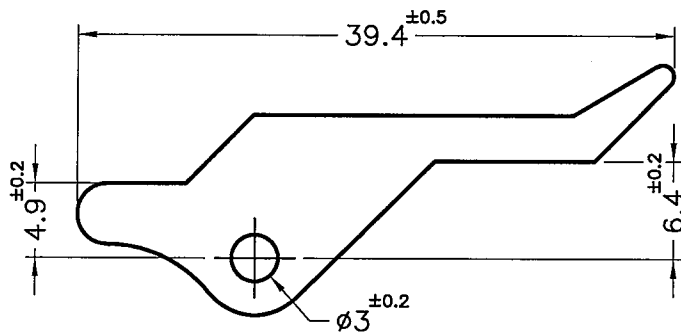
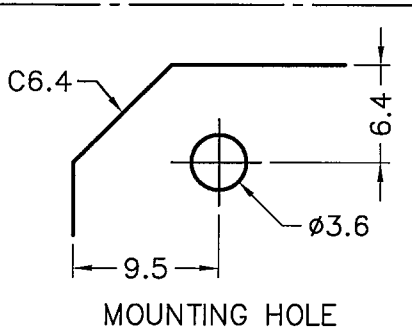


BODY



PIN

PART NO.	COLOR
CP-50	NATURAL
CP-50(B)	BLACK



MOUNTING HOLE

- NOTE:1. THE COLOR BATCH TEST REPORT IS ONLY FOR FIRST LOT TEST.
 色母環保檢測報告, 僅提供原始測試報告.
 2. SHRINKING IS NORMAL STATUS.
 內縮屬正常現象.
 3. MADE OF EQUIVALENT MATERIAL.
 可使用同等材質.
 4. PRODUCT ARE WITH INNER AND OUTER BAGS.
 產品為子母包出貨



康揚企業股份有限公司
 KANG YANG HARDWARE ENTERPRISE CO., LTD.
 康揚塑膠(東莞)有限公司
 KANG YANG PLASTIC(DONG GUAN)CO.,LTD.
 康哲電腦配件(吳江)有限公司
 KANG CHE COMPUTER COMPONENTS(WUJIANG)CO.,LTD.

PROPRIETARY AND CONFIDENTIAL THE INFORMATION CONTAINED IN THIS DRAWING IS THE SOLE PROPERTY OF KANG YANG HARDWARE ENTERPRISE CO. ANY REPRODUCTION IN PART OR AS A WHOLE WITHOUT THE WRITTEN PERMISSION OF KANG YANG HARDWARE ENTERPRISE CO. IS PROHIBITED. DO NOT SCALE DRAWING	DATE	2000.09.28	TITLE	CARD PULLER	DWG. NO.	CP-50H	PART NO.	SEE ABOVE
	DRAWN	JASON	BODY MATERIAL / PIN'S MATERIAL		NYLON 66 UL94V-2 / STEEL			
	CHECKED	林祺翔	BODY COLOR	SEE ABOVE	PIN'S COLOR	BLACK	SIZE	A4
	APPROVED	Kang	UNLESS OTHERWISE SPECIFIED TOLERANCE:		SEE ABOVE	SCALE: 2:1	UNIT	mm
					SPEC. DWG.		REV	D
							SHEET 1 OF 1	