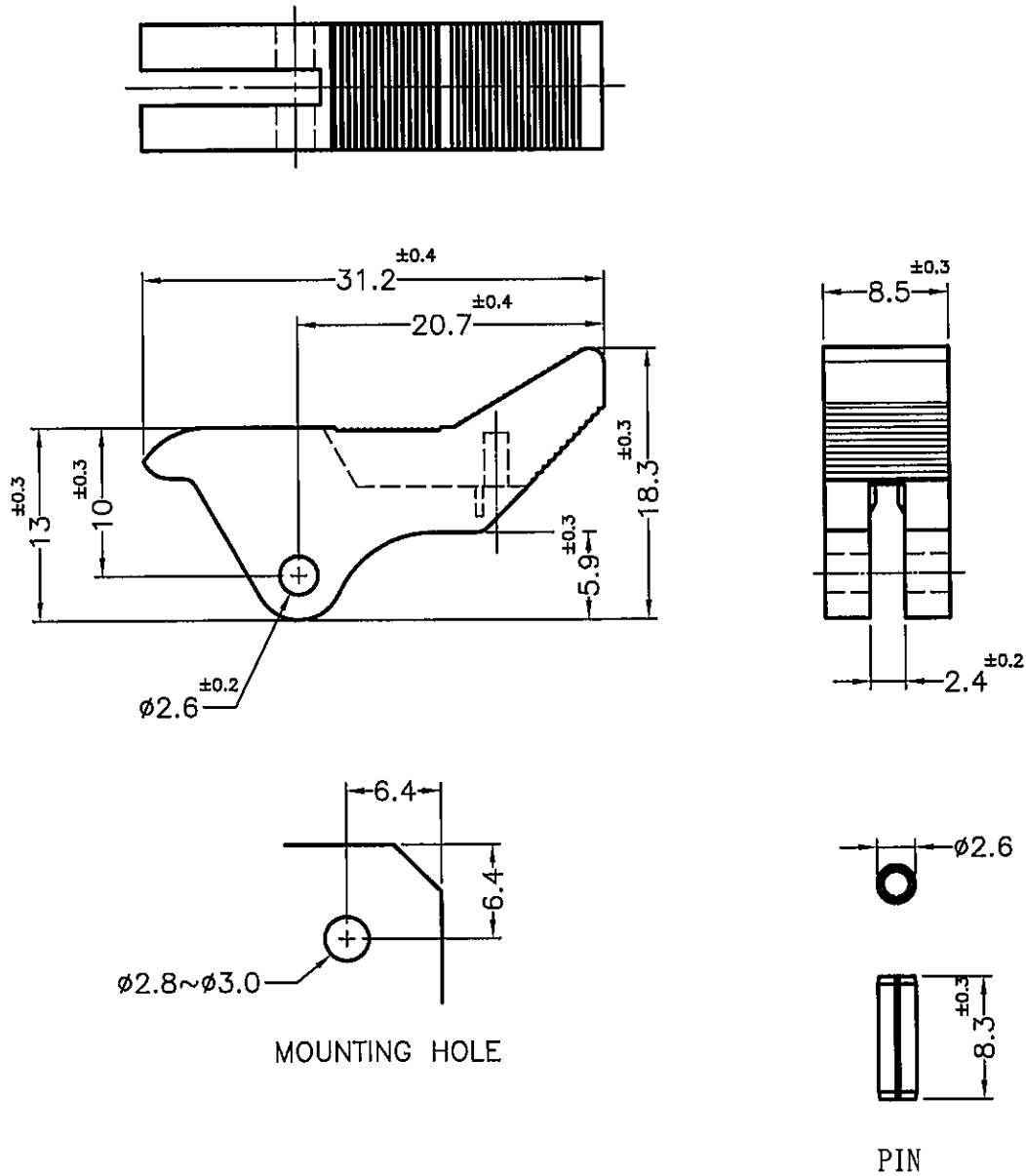


REVISIONS			
REV	DESCRIPTION	DATE	BY



符合歐盟ROHS規範 (RoHS Compliant)	
★鉛Pb	<1000PPM
★鎘Cd	< 100PPM
★汞Hg	<1000PPM
★六價鉻Cr6+	<1000PPM
★多溴聯苯類PBBs	<1000PPM
★多溴聯苯醚類PBDEs	<1000PPM

NOTE:MADE OF EQUIVALENT MATERIAL.
均可使用同等材質.

<p>康揚企業股份有限公司 KANG YANG HARDWARE ENTERPRISE CO., LTD. 康揚塑膠(東莞)有限公司 KANG YANG PLASTIC(DONG GUAN) CO.,LTD. 康哲電腦配件(吳江)有限公司 KANG CHE COMPUTER COMPONENTS(WUJIANG) CO.,LTD.</p>				TITLE CARD PULLER		SPEC. DWG.	
				MATERIAL NYLON 66 UL94V-2		DATE 2002.01.03	
PART NUMBER CP-70		DRAWING NUMBER CP-70		PIN'S MATERIAL STEEL		DRAWN JASON	
SIZE A4		SCALE 2:1		PIN'S COLOR BLACK		CHECK 	
UNIT mm		REV B		COLOR BLACK		APPROVED 	
UNLESS OTHERWISE SPECIFIED TOLERANCE SEE ABOVE				APPROVED 			