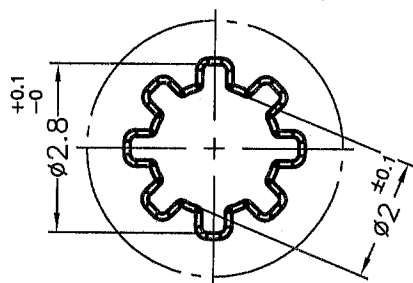
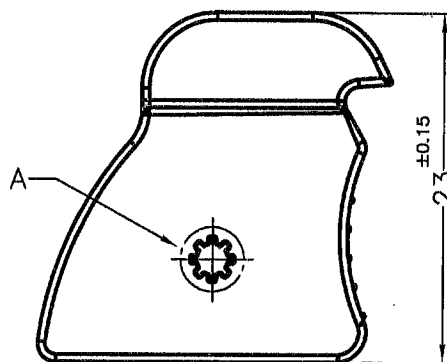
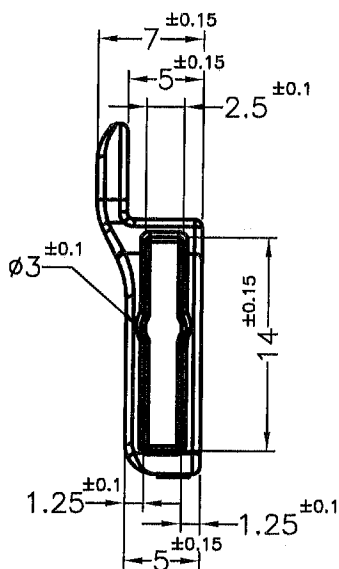
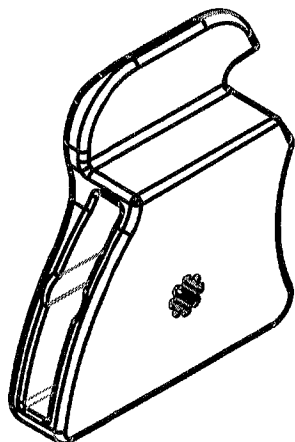
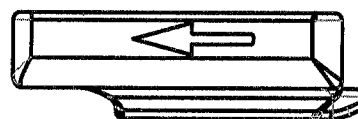


REVISIONS			
REV	DESCRIPTION	DATE	BY



DETAIL A
SCALE 4:1



PART NO.	COLOR
CP-76(G)	GRAY
CP-76(O)	ORANGE(PMS-1525C)

NOTE: All measurement does not include gate which raises under 0.3mm.



康揚企業股份有限公司
KANG YANG HARDWARE ENTERPRISE CO., LTD.
康揚塑膠(東莞)有限公司
KANG YANG PLASTIC(DONG GUAN) CO., LTD.
康哲電腦配件(吳江)有限公司
KANG CHE COMPUTER COMPONENTS(WUJIANG) CO., LTD.

PART NUMBER SEE ABOVE		DRAWING NUMBER CP-76		TITLE CARD PULLER	SPEC. DWG.
SIZE A4	SCALE 2:1	UNIT mm	REV A	MATERIAL PC+ABS UL94V-0	DATE 2010.11.18
UNLESS OTHERWISE SPECIFIED TOLERANCE SEE ABOVE				FINISH	DRAWN ROBERT
COLOR SEE ABOVE				CHECK	
APPROVED				Kang	