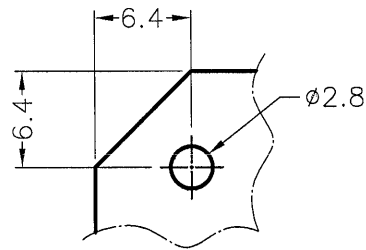
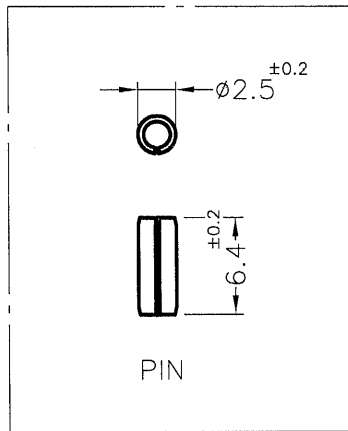
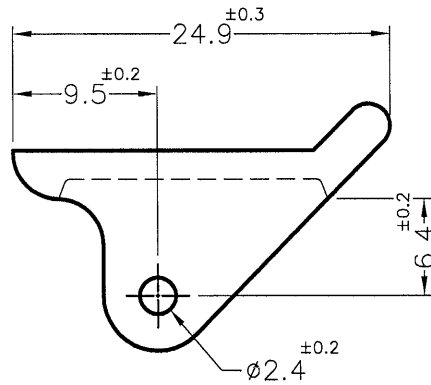
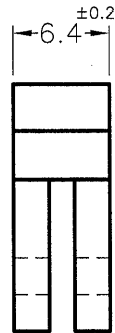


REVISIONS			
REV	DESCRIPTION	DATE	BY





MOUNTING HOLE THICKNESS: 1.6mm

PART NO.	COLOR
CP-82	NATURAL
CP-82W	WHITE

符合歐盟ROHS規範 (RoHS Compliant)	
★鉛Pb	<1000PPM
★鎘Cd	< 100PPM
★汞Hg	<1000PPM
★六價鉻Cr6+	<1000PPM
★多溴聯苯類PBBs	<1000PPM
★多溴聯苯醚類PBDEs	<1000PPM

NOTE:1. SHRINKING IS NORMAL STATUS.
內縮為正常現象.
2. MADE OF EQUIVALENT MATERIAL.
均可使用同等材質

 康揚企業股份有限公司 KANG YANG HARDWARE ENTERPRISE CO., LTD. 康揚塑膠(東莞)有限公司 KANG YANG PLASTIC(DONG GUAN) CO.,LTD. 康哲電腦配件(吳江)有限公司 KANG CHE COMPUTER COMPONENTS(WUJIANG) CO.,LTD.				TITLE	CARD PULLER	SPEC. DWG.	
				PLASTIC MATERIAL	NYLON 66 UL94V-2	DATE	2012.06.27
				PIN MATERIAL	STEEL	DRAWN	ROBERT
PART NUMBER	SEE ABOVE	DRAWING NUMBER	CP-82	PLASTIC COLOR	SEE ABOVE	CHECK	
SIZE	A4	SCALE	2:1	UNIT	mm	REV	A
				UNLESS OTHERWISE SPECIFIED TOLERANCE	SEE ABOVE	APPROVED	