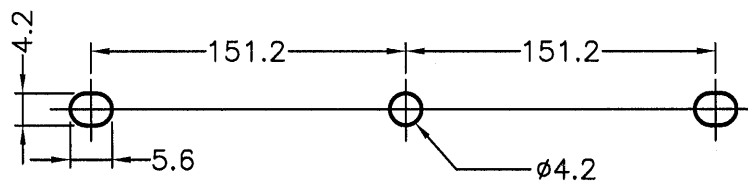
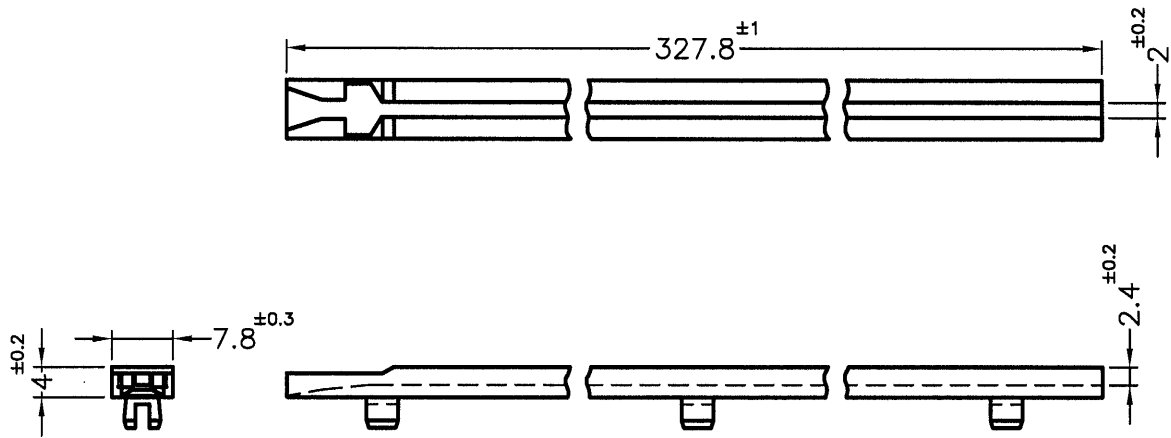



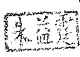

REVISIONS			
REV	DESCRIPTION	DATE	BY



HOLE IN CHASSIS

PART NO.	COLOR
FR-1300(B)	BLACK
FR-1300	RED

NOTE:MADE OF EQUIVALENT MATERIAL.
使用同等材質

 康揚企業股份有限公司 KANG YANG HARDWARE ENTERPRISE CO., LTD. 康揚塑膠(東莞)有限公司 KANG YANG PLASTIC(DONG GUAN)CO.,LTD. 康哲電腦配件(吳江)有限公司 KANG CHE COMPUTER COMPONENTS(WUJIANG) CO.,LTD.		TITLE	CARD GUIDE	SPEC. DWG.
		MATERIAL	NYLON 66 UL94V-2	DATE
PART NUMBER		FINISH	DRAWN	CHECK
SEE ABOVE		COLOR	JOHNNY	
SIZE	SCALE	UNIT	REV	APPROVED
A4	1:1	mm	A	
		UNLESS OTHERWISE SPECIFIED TOLERANCE	SEE ABOVE	