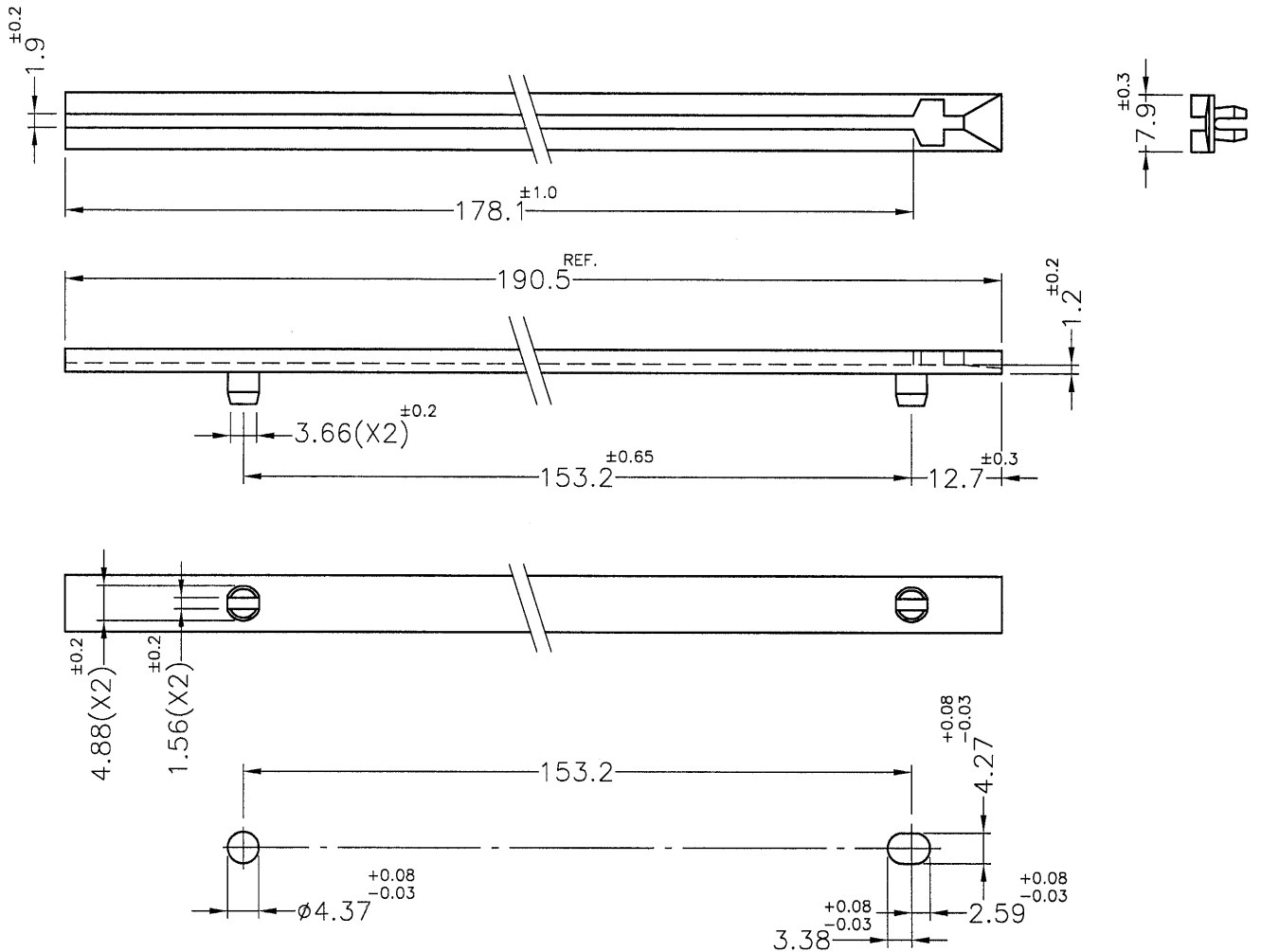





REVISIONS			
REV	DESCRIPTION	DATE	BY



PART NO.	MATERIAL	COLOR
FR-190	NYLON 66 UL94V-2	NATURAL
FR-190V0	NYLON 66 UL94V-0	NATURAL(WHITE)

NOTE:1. SHRINKING IS NORMAL STATUS.  
 內縮為正常現象。  
 2. MADE OF EQUIVALENT MATERIAL.  
 均可使用同等材質。

 <p>康揚企業股份有限公司          KANG YANG HARDWARE ENTERPRISE CO., LTD.          康揚塑膠(東莞)有限公司          KANG YANG PLASTIC(DONG GUAN) CO., LTD.          康哲電腦配件(吳江)有限公司          KANG CHE COMPUTER COMPONENTS(WUJIANG) CO., LTD.</p>		TITLE	CARD GUIDE	SPEC. DWG.			
		MATERIAL	SEE ABOVE	DATE	2007.07.17		
		FINISH		DRAWN	BUNNY		
		COLOR	SEE ABOVE	CHECK			
PART NUMBER	SEE ABOVE	DRAWING NUMBER	FR-190	UNLESS OTHERWISE SPECIFIED TOLERANCE	SEE ABOVE	APPROVED	
SIZE	A4	SCALE	1:1	UNIT	mm	REV	B