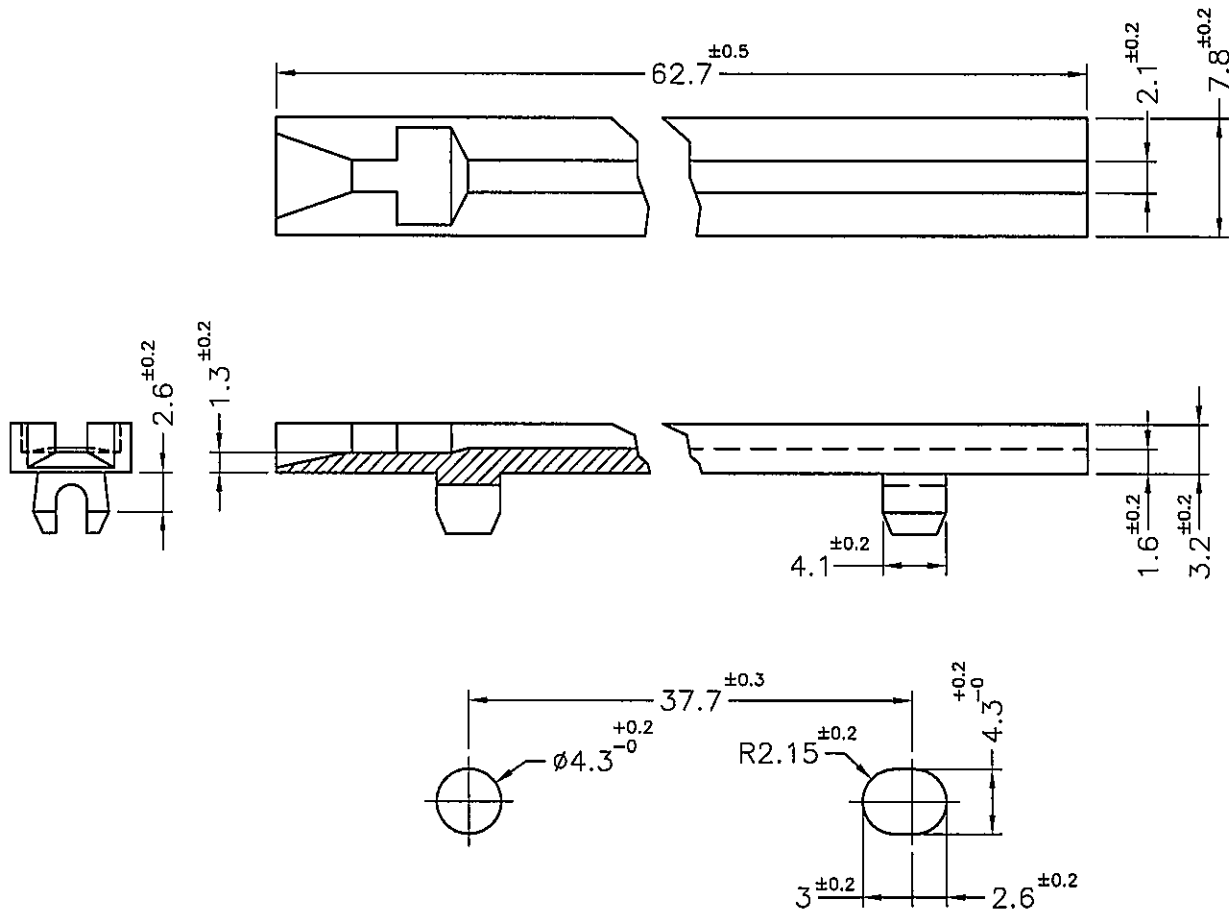




REVISIONS			
REV	DESCRIPTION	DATE	BY



MOUNTING HOLES

PART NO.	COLOR
FR-250(N)	NATURAL(WHITE)
FR-250	RED

NOTE: 1. MADE OF EQUIVALENT MATERIAL.  
均可使用同等材質.

 康揚企業股份有限公司 KANG YANG HARDWARE ENTERPRISE CO., LTD. 康揚塑膠(東莞)有限公司 KANG YANG PLASTIC(DONG GUAN) CO., LTD. 康哲電腦配件(吳江)有限公司 KANG CHE COMPUTER COMPONENTS(WUJIANG) CO., LTD.		TITLE	SPEC. DWG.
		CARD GUIDE	
PART NUMBER		MATERIAL	DATE
SEE ABOVE		NYLON 66 UL94V-0	1999.11.17
DRAWING NUMBER		FINISH	DRAWN
FR-250H			JOHNNY
SIZE	SCALE	COLOR	CHECK
A4	2:1	SEE ABOVE	
UNIT	REV	UNLESS OTHERWISE SPECIFIED TOLERANCE	APPROVED
mm	B	SEE ABOVE	Kang