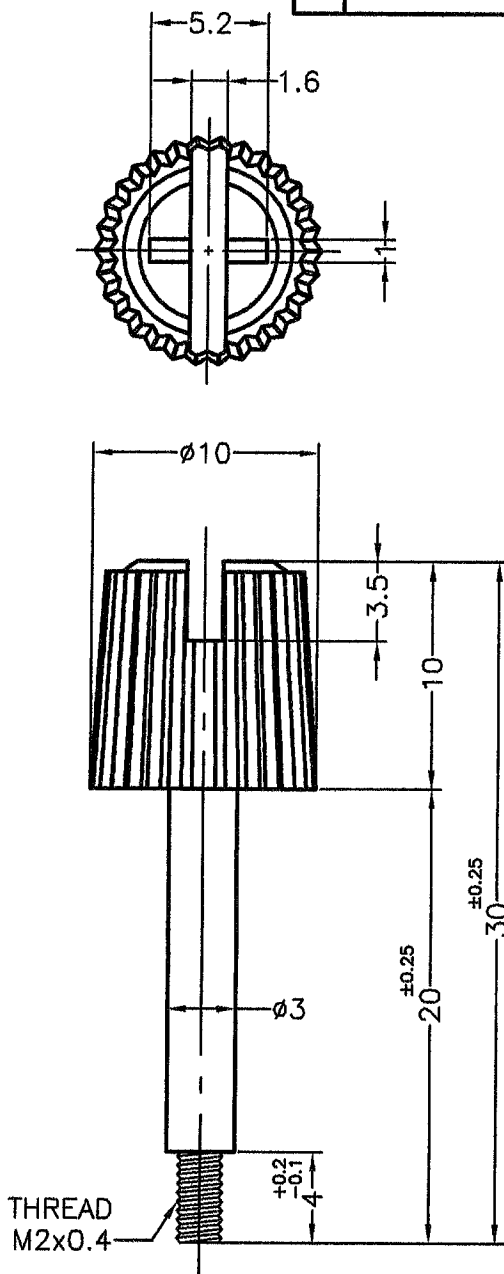



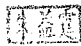
DTM.	TOL.
5mm DOWN.	±0.2
5~20mm	±0.3
20~40mm	±0.4
40~60mm	±0.5
60~100mm	±0.8
100mm UP.	±1.0

REVISIONS			
REV	DESCRIPTION	DATE	BY



康揚符合歐盟ROHS規範 (K.Y. Accord EU RoHS Compliant)

★鉛Pb	<1000PPM
★鎘Cd	<100PPM
★汞Hg	<1000PPM
★六價鉻Cr6+	<1000PPM
★多溴聯苯類PBBs	<1000PPM
★多溴聯苯醚類PBDEs	<1000PPM

 康揚企業股份有限公司 KANG YANG HARDWARE ENTERPRISE CO., LTD. 康揚塑膠(東莞)有限公司 KANG YANG PLASTIC(DONG GUAN) CO., LTD. ISO 9001 ISO 14001 QC 080000 康哲電腦配件(吳江)有限公司 KANG CHE COMPUTER COMPONENTS(WUJIANG) CO., LTD.		TITLE	SCREW	SPEC. DWG.							
		BODY MATERIAL	PC+ABS UL94V-0	DATE	2007.09.20						
PART NUMBER GPE2-30(B)		FINISH	STEEL WITH WHITE ZINC PLATED	DRAWN	BUNNY						
		COLOR	BLACK	CHECK							
SIZE	A4	SCALE	3:1	UNIT	mm	REV	C	UNLESS OTHERWISE SPECIFIED TOLERANCE	SEE ABOVE	APPROVED	