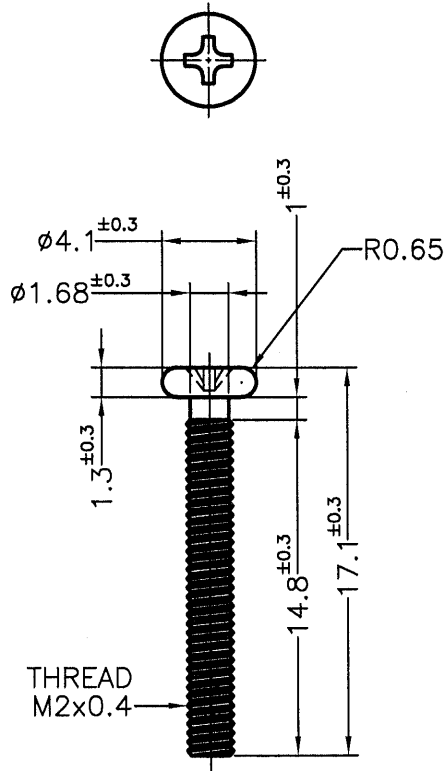


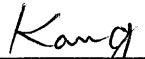


REVISIONS			
REV	DESCRIPTION	DATE	BY



符合歐盟ROHS規範 (RoHS Compliant)	
★鉛Pb	<1000PPM
★鎘Cd	< 100PPM
★汞Hg	<1000PPM
★六價鉻Cr6+	<1000PPM
★多溴聯苯類PBBs	<1000PPM
★多溴聯苯醚類PBDEs	<1000PPM

 康揚企業股份有限公司 KANG YANG HARDWARE ENTERPRISE CO., LTD. 康揚塑膠(東莞)有限公司 KANG YANG PLASTIC(DONG GUAN) CO., LTD. 康哲電腦配件(吳江)有限公司 KANG CHE COMPUTER COMPONENTS(WUJIANG) CO., LTD.		TITLE	SCREW	SPEC. DWG.
		MATERIAL	SPCC	DATE 2007.03.09
		FINISH	WHITE ZINC PLATING	DRAWN FRANK
		COLOR		CHECK 
PART NUMBER GPE2-24N	DRAWING NUMBER GPE2-24N	UNLESS OTHERWISE SPECIFIED TOLERANCE SEE ABOVE		APPROVED 
SIZE A4	SCALE 3:1	UNIT mm	REV A	