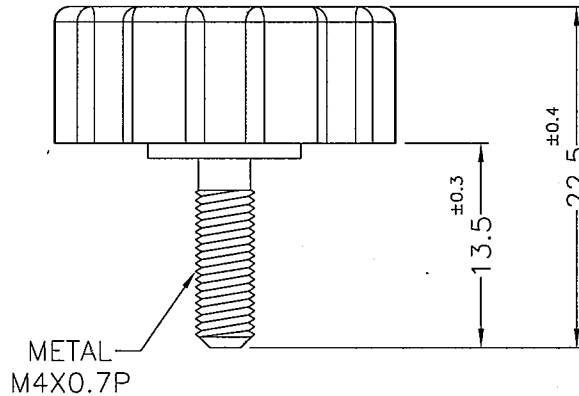
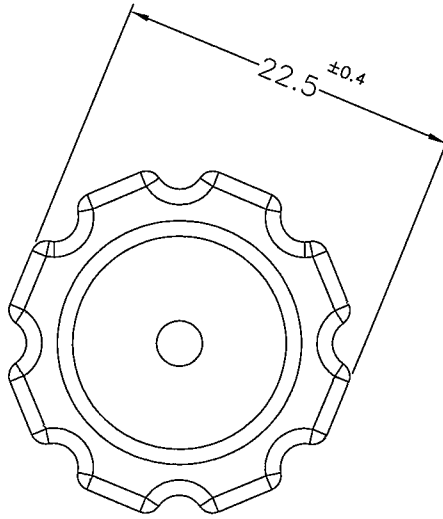


WITH HALOGEN  
有鹵料件



康揚企業股份有限公司  
KANG YANG HARDWARE ENTERPRISE CO., LTD.  
康揚塑膠(東莞)有限公司  
KANG YANG PLASTIC(DONG GUAN)CO., LTD.  
康哲電腦配件(吳江)有限公司  
KANG CHE COMPUTER COMPONENTS(WUJIANG)CO., LTD.

PROPRIETARY AND CONFIDENTIAL  
THE INFORMATION CONTAINED IN  
THIS DRAWING IS THE SOLE PROPERTY  
OF KANG YANG HARDWARE  
ENTERPRISE CO. ANY  
REPRODUCTION IN PART OR AS A  
WHOLE WITHOUT THE WRITTEN  
PERMISSION OF  
KANG YANG HARDWARE ENTERPRISE  
CO. IS PROHIBITED.

DATE  
2011.12.07

TITLE  
SCREW

DWG. NO.  
GPE4-13.5

PART NO.  
GPE4-13.5DG

DRAWN  
T.C

PLASTIC MATERIAL  
ABS UL94V-0

METAL MATERIAL  
STEEL

CHECKED  
林祺翔

COLOR  
DARK GRAY

FINISH  
NI PLATED

SIZE  
A4

SPEC. DWG.

REV  
A

APPROVED  
Kang

UNLESS OTHERWISE SPECIFIED  
TOLERANCE: SEE ABOVE

SCALE: 2:1

UNIT  
mm

SHEET 1 OF 1

DO NOT SCALE DRAWING