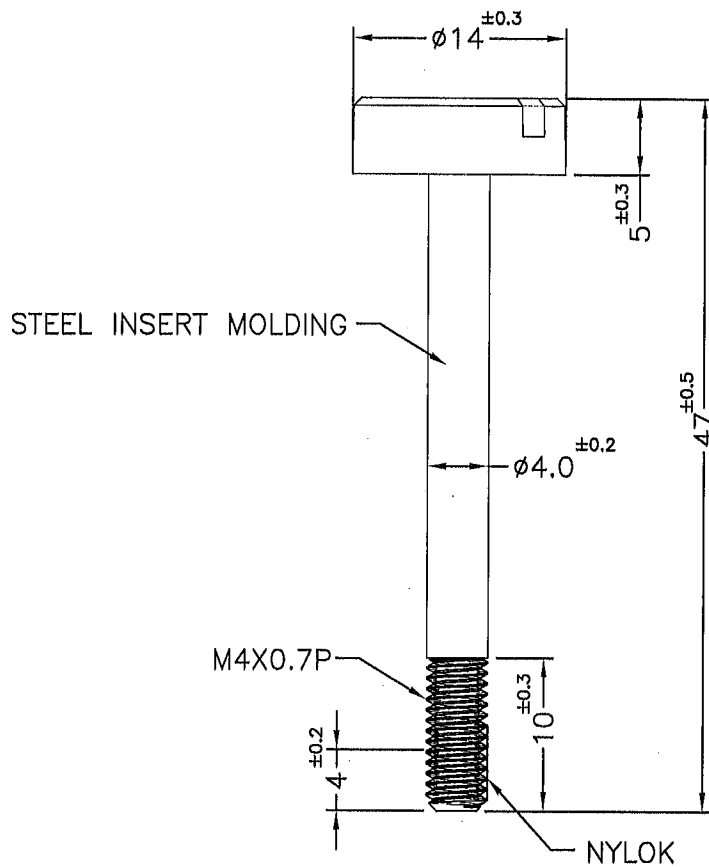
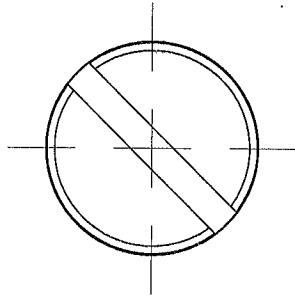



REVISIONS			
REV	DESCRIPTION	DATE	BY



符合歐盟ROHS規範 (RoHS Compliant)	
★鉛Pb	<1000PPM
★鎘Cd	< 100PPM
★汞Hg	<1000PPM
★六價鉻Cr6+	<1000PPM
★多溴聯苯類PBBs	<1000PPM
★多溴聯苯醚類PBDEs	<1000PPM

PART NO.	COLOR
GPE4-42(W)	NATURAL(WHITE)
GPE4-42(B)	BLACK


康揚企業股份有限公司
 KANG YANG HARDWARE ENTERPRISE CO., LTD.
康揚塑膠(東莞)有限公司
 KANG YANG PLASTIC(DONG GUAN) CO., LTD.
康哲電腦配件(吳江)有限公司
 KANG CHE COMPUTER COMPONENTS(WUJIANG) CO., LTD.

TITLE		SCREW		SPEC. DWG.	
MATERIAL		ABS UL94HB		DATE	
SCREW MATERIAL		STEEL		2009.09.07	
SCREW FINISH		ZN PLATED		DRAWN	
SEE ABOVE		SEE ABOVE		HANK	
UNLESS OTHERWISE SPECIFIED TOLERANCE		SEE ABOVE		CHECK	
SEE ABOVE		SEE ABOVE		 APPROVED	

PART NUMBER		DRAWING NUMBER	
SEE ABOVE		GPE4-42	
SIZE	SCALE	UNIT	REV
A4	2:1	mm	B