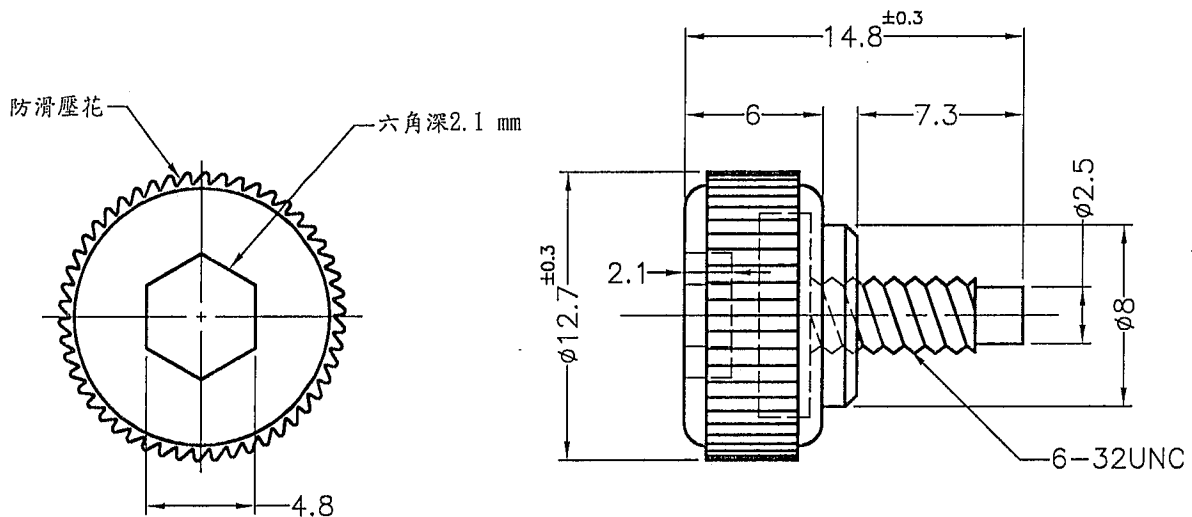


REVISIONS			
REV	DESCRIPTION	DATE	BY



QMF22 Component - Plastics
 FORMOSA CHEMICALS & FIBRE CORP
 PLASTICS DIV 201 TUNG HWA N RD TAIPEI 105 TAIWAN
 Material Designation: AG15E1

Friday, October 24, 2003

E162823

Product Description: Acrylonitrile Butadiene Styrene (ABS), designated "TAIRILAC" furnished as pellets.

Color	Min. Thick. (mm)	Flame Class	HWI	HAI	RTI Elec	RTI Imp	RTI Str	IEC GWIT	IEC GWFI
ALL	1.6	HB	5	0	60	60	60	-	-
	3	-	-	-	60	60	60	-	-
	CTI: 0		HVTR: 0			D495: 6			

Dielectric Strength (kV/mm): -
 ISO Tensile Strength (MPa): -
 ISO Tensile Impact (kJ/m²): -

Volume Resistivity (10⁹ohm-cm): -
 ISO Flexural Strength (MPa): -
 ISO Izod Impact (kJ/m²): -

IEC Ball Pressure (C): -
 Dimensional Stability(%): -
 ISO Heat Deflection (C): -
 ISO Charpy Impact (kJ/m²): -

Report Date: 11/1/1995

Underwriters Laboratories Inc®

UL94 small-scale test data does not pertain to building materials, furnishings and related contents. UL 94 small-scale test data is intended solely for determining the flammability of plastic materials used in components and parts of end-product devices and appliances, where the acceptability of the combination is determined by ULI.

 康揚企業股份有限公司 KANG YANG HARDWARE ENTERPRISE CO., LTD. 康揚塑膠(東莞)有限公司 KANG YANG PLASTIC(DONG GUAN) CO., LTD. 康哲電腦配件(吳江)有限公司 KANG CHE COMPUTER COMPONENTS(WUJIANG) CO., LTD.	TITLE		螺絲		產品規格圖面		
	MATERIAL		ABS UL94HB		DATE		2006.06.06
	SCREW MATERIAL		鐵		DRAWN		BUNNY
	COLOR		BLACK		CHECK		
PART NUMBER		DRAWING NUMBER		UNLESS OTHERWISE SPECIFIED TOLERANCE		APPROVED	
GPE632-5B		GPE632-5B		±0.2			
SIZE	SCALE	UNIT	REV				
A4	3:1	mm	A				